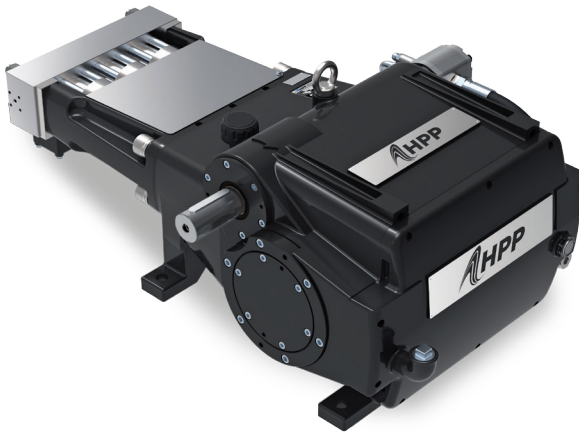




H-150 SAP



LEGEND

 With tungsten carbide plunger

 With forced lubrication












 Heat exchanger

 Vertical assembling

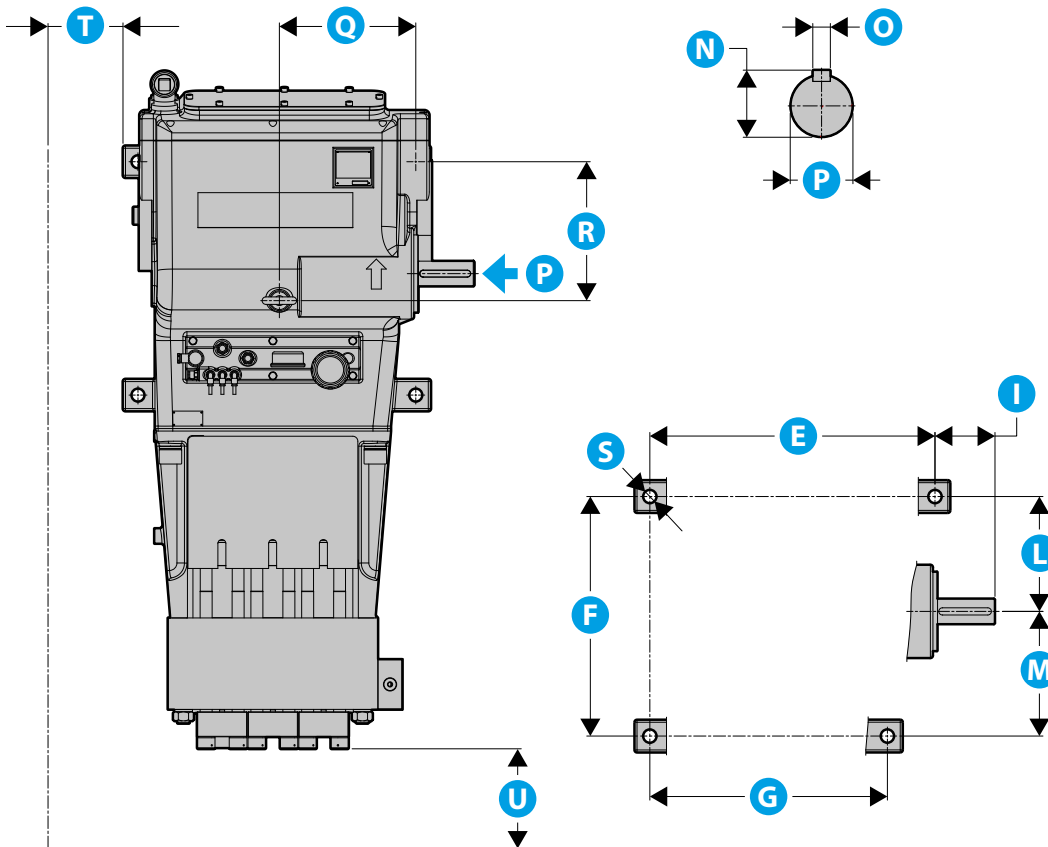
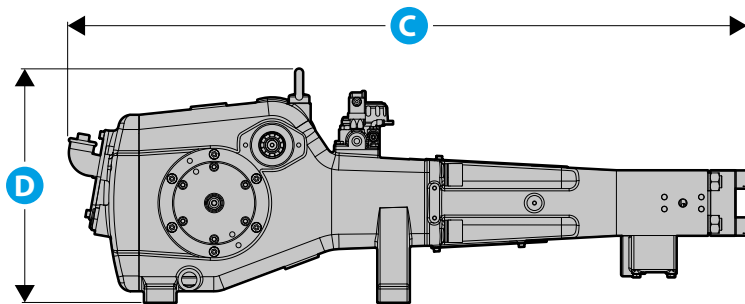
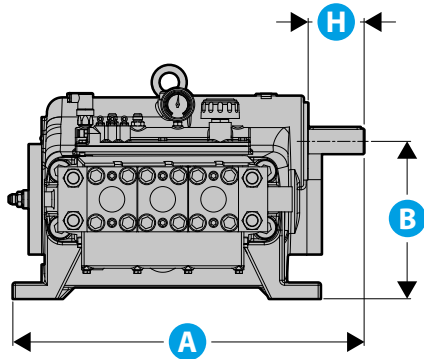
 Horizontal assembling

SAP SERIES UP TO 1500 BAR

 H-150 SAP   

 IV GENERATION	 IV GENERATION		 Motor Engine	 Crankshaft										
Code	Code	Ø mm	rpm	gear ratio	rpm	l/min	USgpm	bar	psi	MPa	HP	kW	kg	lb
P231552V14220	P231552H14220	22	1500	2,9	517	47,2	12,5	1400	20300	140	166,3	122,3	400	882
P231562V14220	P231562H14220		1800	3,6	502	45,7	12,1	1400	20300	140	161,2	118,6	400	882
P231552V14240	P231552H14240	24	1500	2,9	517	56,1	14,8	1200	17400	120	169,6	124,7	400	882
P231562V14240	P231562H14240		1800	3,6	502	54,4	14,4	1200	17400	120	164,5	121,0	400	882
P231552V14260	P231552H14260	26	1500	2,9	517	65,9	17,4	1000	14500	100	165,9	122,0	400	882
P231562V14260	P231562H14260		1800	3,6	502	63,9	16,9	1000	14500	100	160,8	118,3	400	882
P231552V14280	P231552H14280	28	1500	2,9	517	76,4	20,2	830	12035	83	159,7	117,4	400	882
P231562V14280	P231562H14280		1800	3,6	502	74,1	19,6	830	12035	83	154,8	113,9	400	882
P231552V14300	P231552H14300	30	1500	2,9	517	87,7	23,2	750	10875	75	165,6	121,8	400	882
P231562V14300	P231562H14300		1800	3,6	502	85,1	22,5	750	10875	75	160,6	118,1	400	882
P231552V14320	P231552H14320	32	1500	2,9	517	99,8	26,4	640	9280	64	160,8	118,3	400	882
P231562V14320	P231562H14320		1800	3,6	502	96,8	25,6	640	9280	64	155,9	114,7	400	882
P231552V14350	P231552H14350	35	1500	2,9	517	119,4	31,5	560	8120	56	168,3	123,8	400	882
P231562V14350	P231562H14350		1800	3,6	502	115,8	30,6	560	8120	56	163,2	120,1	400	882
P231552V14400	P231552H14400	40	1500	2,9	517	155,9	41,2	400	5800	40	157,0	115,5	400	882
P231562V14400	P231562H14400		1800	3,6	502	151,2	39,9	400	5800	40	152,3	112,0	400	882

DIMENSIONS



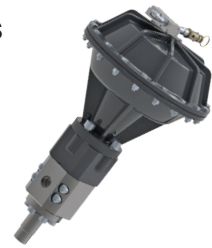
Pump Model		H-150 SAP
A	mm	699,5
	(in)	(27,54)
B	mm	265
	(in)	(10,43)
C	mm	1121
	(in)	(44,13)
D	mm	407,5
	(in)	(16,04)
E	mm	565
	(in)	(22,24)
F	mm	390
	(in)	(15,35)
G	mm	546
	(in)	(21,50)
H	mm	120,5
	(in)	(4,74)
I	mm	110
	(in)	(4,33)
L	mm	190
	(in)	(7,48)
M	mm	200
	(in)	(7,87)
N	mm	43
	(in)	(1,69)
O	mm	12 (DIN 6885)
	(in)	(0,47)
P	mm	ø 40 +0,018 +0,002
	(in)	(ø 1,57)
Q	mm	272,5
	(in)	(10,73)
R	mm	231
	(in)	(9,09)
S	mm	ø 26
	(in)	(ø 1,02)
T	mm	150
	(in)	(5,91)
U	mm	500
	(in)	(19,69)

PUMP ACCESSORIES

REGULATING VALVES



PNEUMATIC CONTROL VALVES



SAFETY VALVES



PRESSURE GAUGES

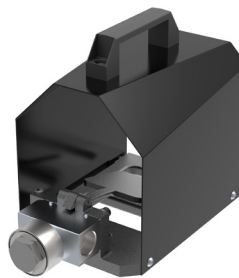


ACCESSORIES FOR WORK

DUMP SHUT GUNS / UNDERWATER GUNS / PNEUMATIC GUNS



DUMP TYPE FOOT VALVE



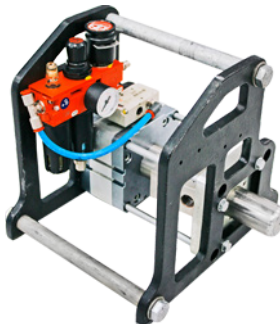
MULTI-JET

Multi-purpose surface. Preparation system for floors and hulls. 2800 bar (40K psi).



POWER BOX

3/2" Ultra High Pressure control valve to control the gun's water flow and/or operate with a multi-gun system.



HIGH PRESSURE HOSES
ULTRA HIGH PRESSURE HOSES



FLEXIBLE LANCE NOZZLES
RIGID LANCE NOZZLES



HIGH PRESSURE SWIVEL FOR HOSES



ROTATING NOZZLES



PROTECTIVE CLOTHING FOR WATERJETTING (TST)



FLEXIBLE LANCES / RIGID LANCES



"TURBO" NOZZLES





Distributed by: / Distribuito da:

P.T.C. Srl › via Mantegna, 4 - 42048 Rubiera (RE) - Italy

Phone: +39 0522/1932911 › Fax: +39 0522/1932922

mail: info@ptcitaliana.com › website: www.ptcitaliana.com
