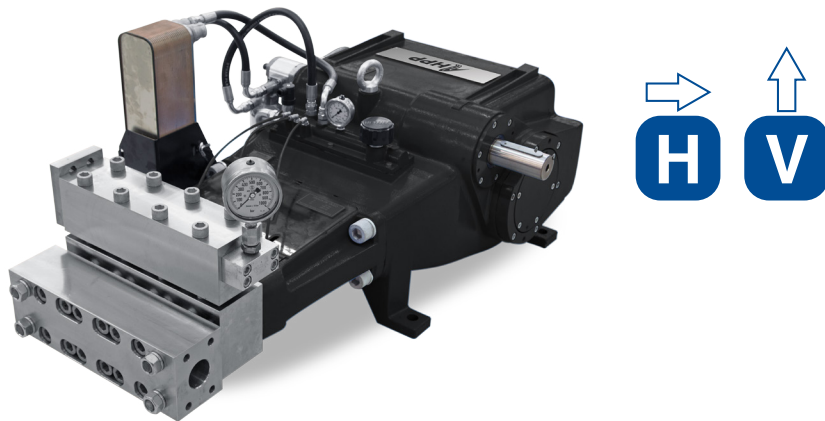



H-300 SAP L



LEGEND

 With tungsten carbide plunger



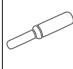





 With forced lubrication

 Heat exchanger

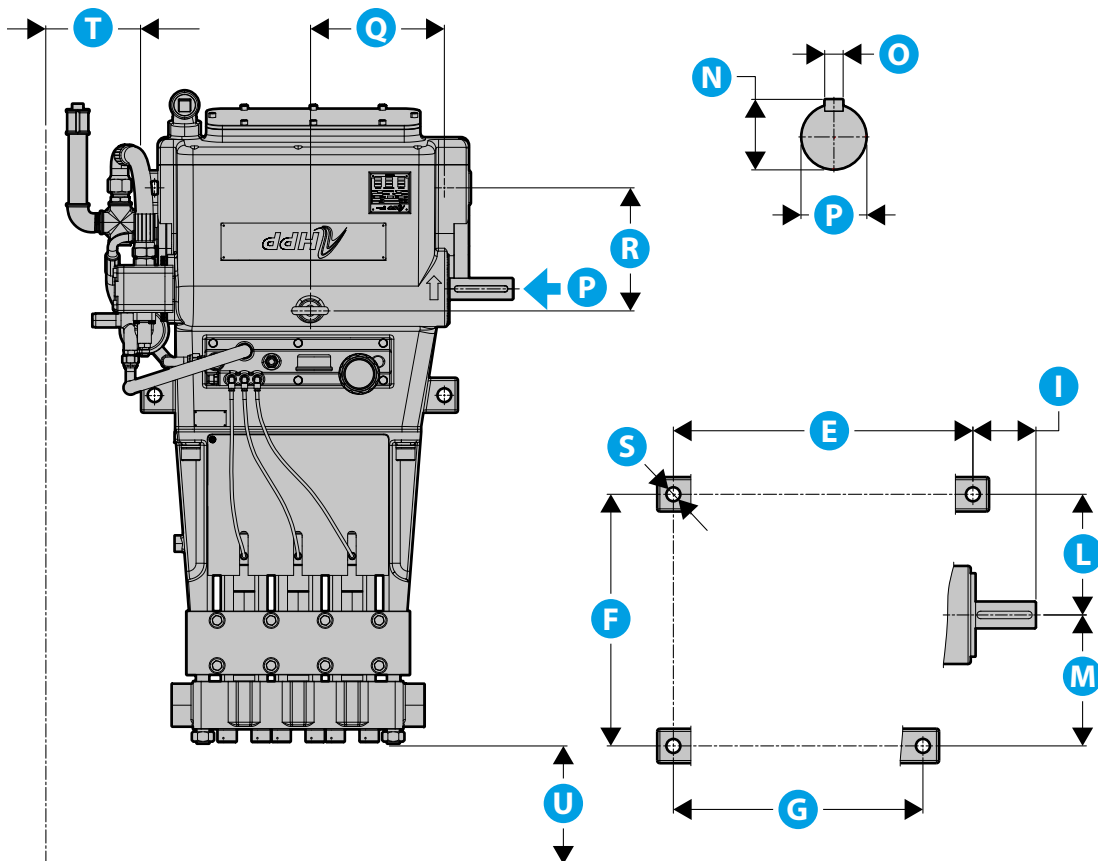
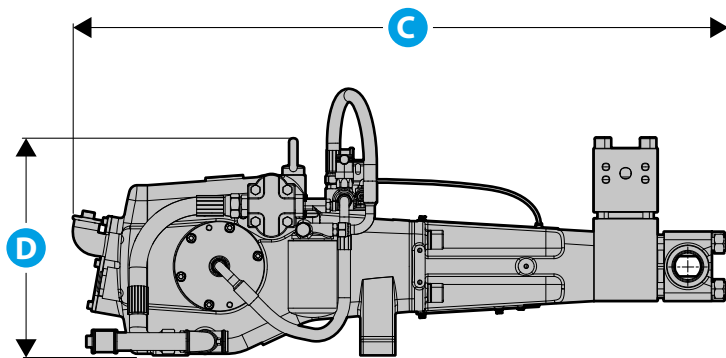
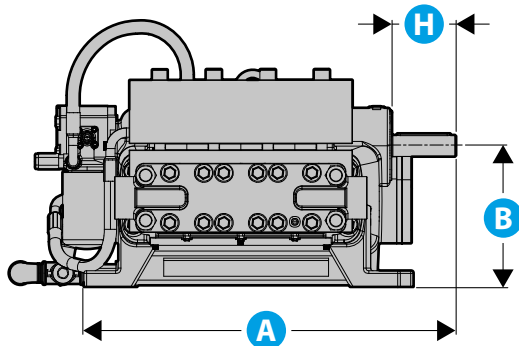
 Vertical assembling

 Horizontal assembling

 H-300 SAP L   

|  |  |  | Motor Engine |  | Crankshaft |  |  |  |  | | | | | |
|---|---|---|--------------|---|------------|---|---|---|---|-----|-------|-------|-----|------|
| Code | Code | Ø mm | rpm | gear ratio | rpm | l/min | USgpm | bar | psi | MPa | HP | kW | kg | lb |
| P233154V11400 | P233154H11400 | 40 | 1500 | 3,13 | 480 | 177,2 | 46,8 | 750 | 10875 | 75 | 334,7 | 246,2 | 700 | 1544 |
| P233164V11400 | P233164H11400 | | 1800 | 3,67 | 491 | 181,3 | 47,9 | 750 | 10875 | 75 | 342,4 | 251,8 | 700 | 1544 |
| P233154V11450 | P233154H11450 | 45 | 1500 | 3,13 | 480 | 224,3 | 59,3 | 600 | 8700 | 60 | 338,9 | 249,3 | 700 | 1544 |
| P233164V11450 | P233164H11450 | | 1800 | 3,67 | 491 | 229,5 | 60,6 | 600 | 8700 | 60 | 346,7 | 255,0 | 700 | 1544 |
| P233154V11500 | P233154H11500 | 50 | 1500 | 3,13 | 480 | 276,9 | 73,2 | 490 | 7105 | 49 | 341,7 | 251,3 | 700 | 1544 |
| P233164V11500 | P233164H11500 | | 1800 | 3,67 | 491 | 283,3 | 74,8 | 490 | 7105 | 49 | 349,5 | 257,1 | 700 | 1544 |
| P233154V11550 | P233154H11550 | 55 | 1500 | 3,13 | 480 | 335,1 | 88,5 | 400 | 5800 | 40 | 337,5 | 248,2 | 700 | 1544 |
| P233164V11550 | P233164H11550 | | 1800 | 3,67 | 491 | 342,8 | 90,6 | 400 | 5800 | 40 | 345,2 | 253,9 | 700 | 1544 |
| P233154V11620 | P233154H11620 | 62 | 1500 | 3,13 | 480 | 425,8 | 112,5 | 320 | 4640 | 32 | 343,1 | 252,3 | 700 | 1544 |
| P233164V11620 | P233164H11620 | | 1800 | 3,67 | 491 | 435,6 | 115,1 | 320 | 4640 | 32 | 351,0 | 258,1 | 700 | 1544 |

DIMENSIONS



| Pump Model | | H-300 SAPL |
|------------|------|--------------------------|
| A | mm | 739 |
| | (in) | (29,09) |
| B | mm | 355 |
| | (in) | (13,98) |
| C | mm | 1231 |
| | (in) | (48,46) |
| D | mm | 505 |
| | (in) | (19,88) |
| E | mm | 592 |
| | (in) | (23,31) |
| F | mm | 540 |
| | (in) | (21,26) |
| G | mm | 592 |
| | (in) | (23,31) |
| H | mm | 126,5 |
| | (in) | (4,98) |
| I | mm | 117 |
| | (in) | (4,61) |
| L | mm | 286,4 |
| | (in) | (11,28) |
| M | mm | 253,6 |
| | (in) | (9,98) |
| N | mm | 62 |
| | (in) | (2,44) |
| O | mm | 16 (DIN 6885) |
| | (in) | (0,63) |
| P | mm | ∅ 58 +0,021 +0,002 |
| | (in) | (∅ 2,28) |
| Q | mm | 320 |
| | (in) | (12,60) |
| R | mm | 340 |
| | (in) | (13,39) |
| S | mm | ∅ 26 |
| | (in) | (∅ 1,02) |
| T | mm | 150 |
| | (in) | (5,91) |
| U | mm | 500 |
| | (in) | (19,69) |

PUMP ACCESSORIES

REGULATING VALVES



PNEUMATIC CONTROL VALVES



SAFETY VALVES



PRESSURE GAUGES

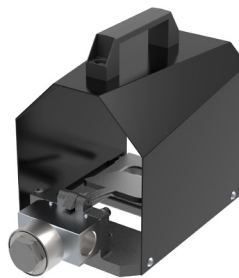


ACCESSORIES FOR WORK

DUMP SHUT GUNS / UNDERWATER GUNS / PNEUMATIC GUNS



DUMP TYPE FOOT VALVE



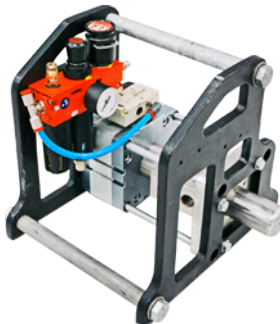
MULTI-JET

Multi-purpose surface. Preparation system for floors and hulls. 2800 bar (40K psi).



POWER BOX

3/2" Ultra High Pressure control valve to control the gun's water flow and/or operate with a multi-gun system.



HIGH PRESSURE HOSES
ULTRA HIGH PRESSURE HOSES



FLEXIBLE LANCE NOZZLES
RIGID LANCE NOZZLES



HIGH PRESSURE SWIVEL FOR HOSES



ROTATING NOZZLES



PROTECTIVE CLOTHING FOR WATERJETTING (TST)



FLEXIBLE LANCES / RIGID LANCES



"TURBO" NOZZLES





Distributed by: / Distribuito da:

P.T.C. Srl › via Mantegna, 4 - 42048 Rubiera (RE) - Italy

Phone: +39 0522/1932911 › Fax: +39 0522/1932922

mail: info@ptcitaliana.com › website: www.ptcitaliana.com
