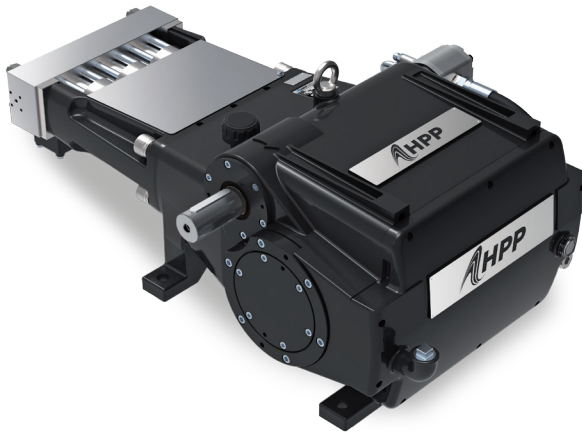



H-300 SAP



LEGEND

 With tungsten carbide plunger

 With forced lubrication



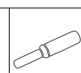






 Heat exchanger

 Vertical assembling

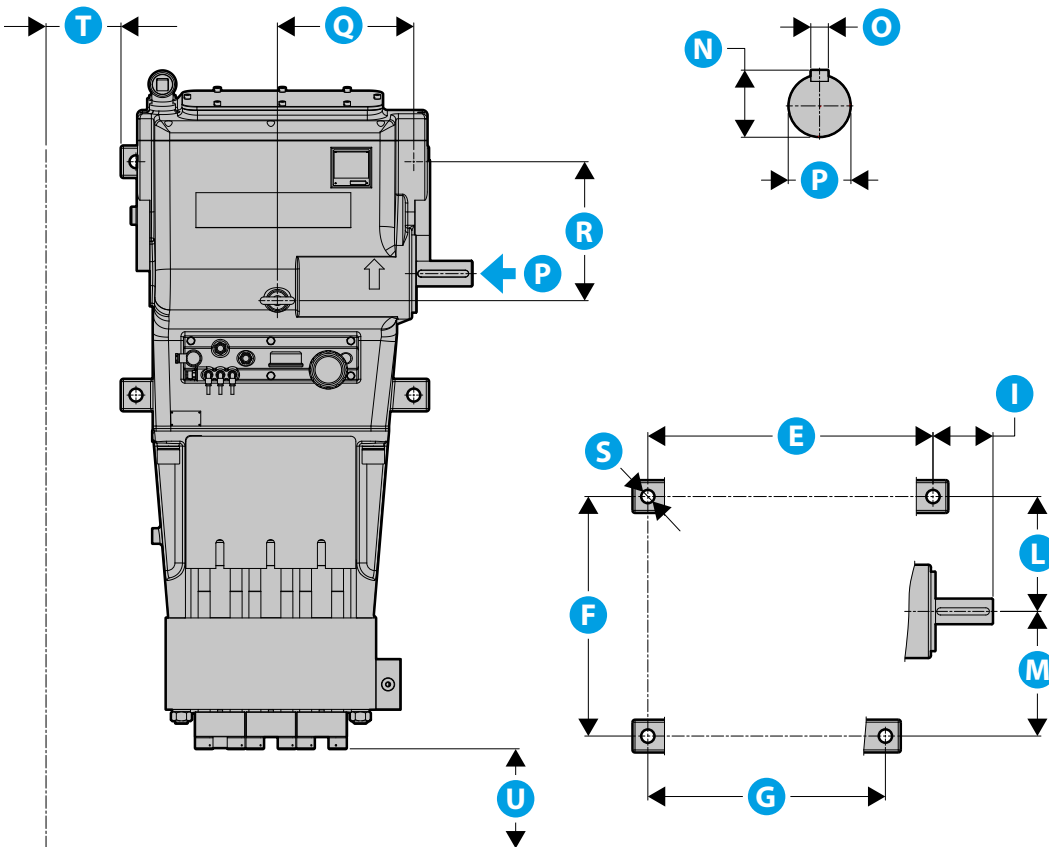
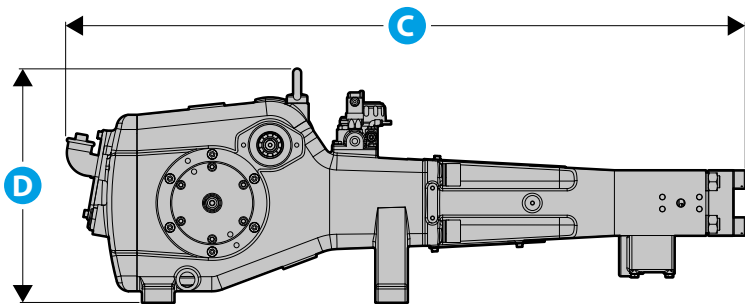
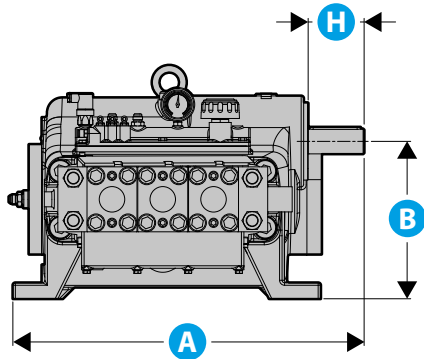
 Horizontal assembling

SAP SERIES UP TO 1500 BAR

 H-300 SAP   

 IV GENERATION	 IV GENERATION													
Code	Code	Ø mm	rpm	gear ratio	rpm	l/min	USgpm	bar	psi	MPa	HP	kW	kg	lb
P233152V14300	P233152H14300	30	1500	3,13	480	99,7	26,3	1400	20300	140	351,4	258,5	700	1544
P233162V14300	P233162H14300		1800	3,67	491	102,0	26,9	1400	20300	140	359,5	264,4	700	1544
P233152V14320	P233152H14320	32	1500	3,13	480	113,4	30,0	1200	17400	120	342,7	252,1	700	1544
P233162V14320	P233162H14320		1800	3,67	491	116,0	30,7	1200	17400	120	350,6	257,9	700	1544
P233152V14350	P233152H14350	35	1500	3,13	480	135,7	35,8	1000	14500	100	341,7	251,3	700	1544
P233162V14350	P233162H14350		1800	3,67	491	138,8	36,7	1000	14500	100	349,5	257,1	700	1544
P233152V14400	P233152H14400	40	1500	3,13	480	177,2	46,8	750	10875	75	334,7	246,2	700	1544
P233162V14400	P233162H14400		1800	3,67	491	181,3	47,9	750	10875	75	342,4	251,8	700	1544

DIMENSIONS



Pump Model		H-300 SAP
A	mm	739
	(in)	(29,09)
B	mm	355
	(in)	(13,98)
C	mm	1374
	(in)	(54,09)
D	mm	505
	(in)	(19,88)
E	mm	592
	(in)	(23,31)
F	mm	540
	(in)	(21,26)
G	mm	592
	(in)	(23,31)
H	mm	126,5
	(in)	(4,98)
I	mm	117
	(in)	(4,61)
L	mm	286,4
	(in)	(11,28)
M	mm	253,6
	(in)	(9,98)
N	mm	62
	(in)	(2,44)
O	mm	16 (DIN 6885)
	(in)	(0,63)
P	mm	ø 58 +0,021 +0,002
	(in)	(ø 2,28)
Q	mm	320
	(in)	(12,60)
R	mm	340
	(in)	(13,39)
S	mm	ø 26
	(in)	(ø 1,02)
T	mm	150
	(in)	(5,91)
U	mm	500
	(in)	(19,69)

PUMP ACCESSORIES

REGULATING VALVES



PNEUMATIC CONTROL VALVES



SAFETY VALVES



PRESSURE GAUGES

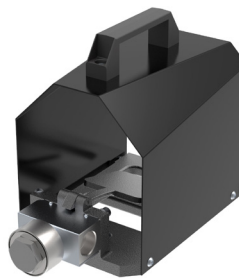


ACCESSORIES FOR WORK

DUMP SHUT GUNS / UNDERWATER GUNS / PNEUMATIC GUNS



DUMP TYPE FOOT VALVE



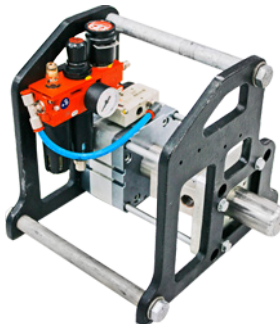
MULTI-JET

Multi-purpose surface. Preparation system for floors and hulls. 2800 bar (40K psi).



POWER BOX

3/2" Ultra High Pressure control valve to control the gun's water flow and/or operate with a multi-gun system.



HIGH PRESSURE HOSES
ULTRA HIGH PRESSURE HOSES



FLEXIBLE LANCE NOZZLES
RIGID LANCE NOZZLES



HIGH PRESSURE SWIVEL FOR HOSES



ROTATING NOZZLES



PROTECTIVE CLOTHING FOR WATERJETTING (TST)



FLEXIBLE LANCES / RIGID LANCES



"TURBO" NOZZLES





Distributed by: / Distribuito da:

P.T.C. Srl › via Mantegna, 4 - 42048 Rubiera (RE) - Italy

Phone: +39 0522/1932911 › Fax: +39 0522/1932922

mail: info@ptcitaliana.com › website: www.ptcitaliana.com
