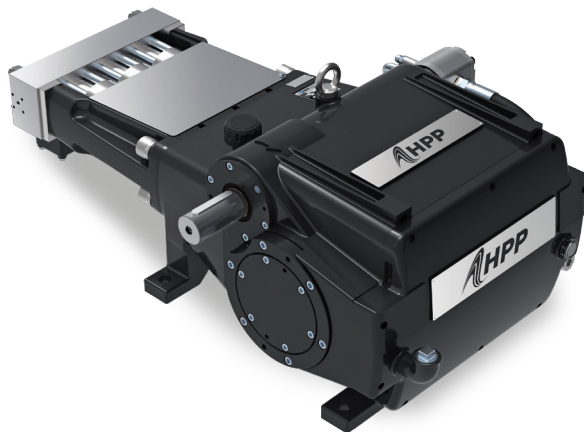



H-300 UAP



LEGEND

 With tungsten carbide plunger

 With forced lubrication










 Heat exchanger

 Vertical assembling

 Horizontal assembling

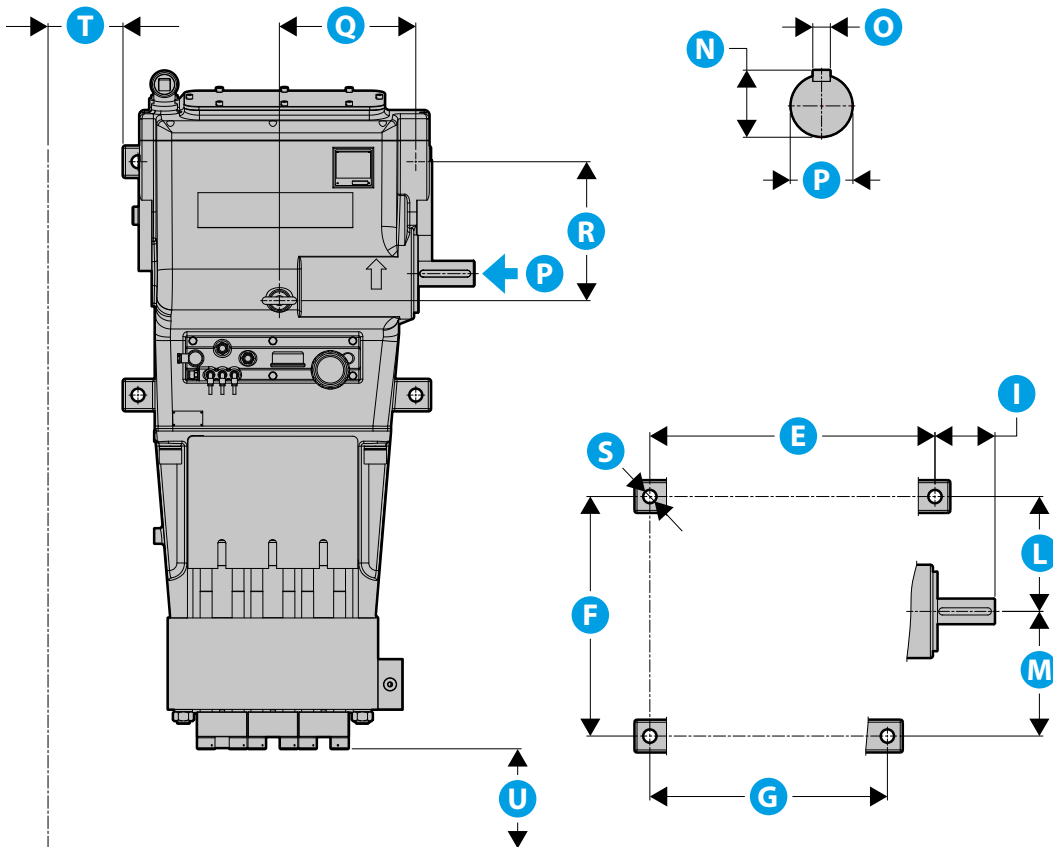
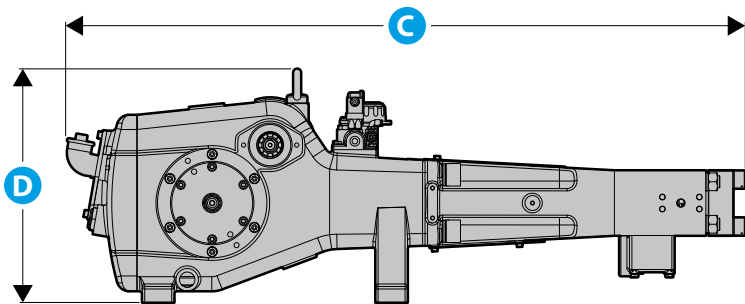
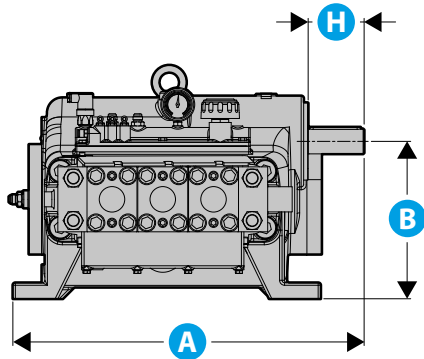
UAP SERIES UP TO 2800 BAR

 H-300 UAP   

 IV GENERATION	 IV GENERATION		 Motor Engine	 Crankshaft										
Code	Code	Ø mm	rpm	gear ratio	rpm	l/min	USgpm	bar	psi	MPa	HP	kW	kg	lb
P233153V14200	P233153H14200	20	1500	3,13	480	39,9	10,5	2800	40600	280	281,2	206,8	700	1544
P233163V14200	P233163H14200		1800	3,67	491	40,8	10,8	2800	40600	280	287,6	211,5	700	1544

Performances refer to theoretical delivery with 100% volumetric efficiency. For continuous or heavy-duty use, contact our technical department.

DIMENSIONS



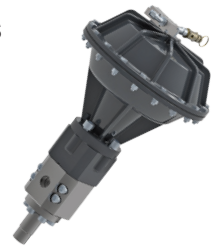
Pump Model		H-300 UAP
A	mm	739
	(in)	(29,09)
B	mm	355
	(in)	(13,98)
C	mm	1416
	(in)	(55,75)
D	mm	505
	(in)	(19,88)
E	mm	592
	(in)	(23,31)
F	mm	540
	(in)	(21,26)
G	mm	592
	(in)	(23,31)
H	mm	126,5
	(in)	(4,98)
I	mm	117
	(in)	(4,61)
L	mm	286,4
	(in)	(11,28)
M	mm	253,6
	(in)	(9,98)
N	mm	62
	(in)	(2,44)
O	mm	16 (DIN 6885)
	(in)	(0,63)
P	mm	ø 58 +0,021 +0,002
	(in)	(ø 2,28)
Q	mm	320
	(in)	(12,60)
R	mm	340
	(in)	(13,39)
S	mm	ø 26
	(in)	(ø 1,02)
T	mm	150
	(in)	(5,91)
U	mm	500
	(in)	(19,69)

PUMP ACCESSORIES

REGULATING VALVES



PNEUMATIC CONTROL VALVES



SAFETY VALVES



PRESSURE GAUGES

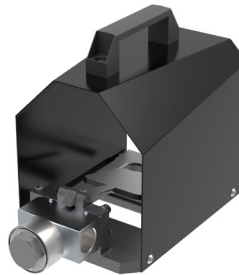


ACCESSORIES FOR WORK

DUMP SHUT GUNS / UNDERWATER GUNS / PNEUMATIC GUNS



DUMP TYPE FOOT VALVE



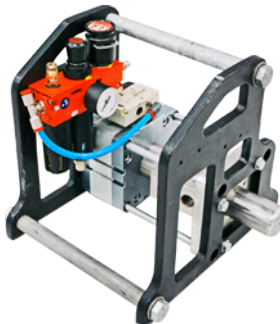
MULTI-JET

Multi-purpose surface. Preparation system for floors and hulls. 2800 bar (40K psi).



POWER BOX

3/2" Ultra High Pressure control valve to control the gun's water flow and/or operate with a multi-gun system.



HIGH PRESSURE HOSES
ULTRA HIGH PRESSURE HOSES



FLEXIBLE LANCE NOZZLES
RIGID LANCE NOZZLES



HIGH PRESSURE SWIVEL FOR HOSES



ROTATING NOZZLES



PROTECTIVE CLOTHING FOR WATERJETTING (TST)



FLEXIBLE LANCES / RIGID LANCES



"TURBO" NOZZLES





Distributed by: / Distribuito da:

P.T.C. Srl › via Mantegna, 4 - 42048 Rubiera (RE) - Italy

Phone: +39 0522/1932911 › Fax: +39 0522/1932922

mail: info@ptcitaliana.com › website: www.ptcitaliana.com
