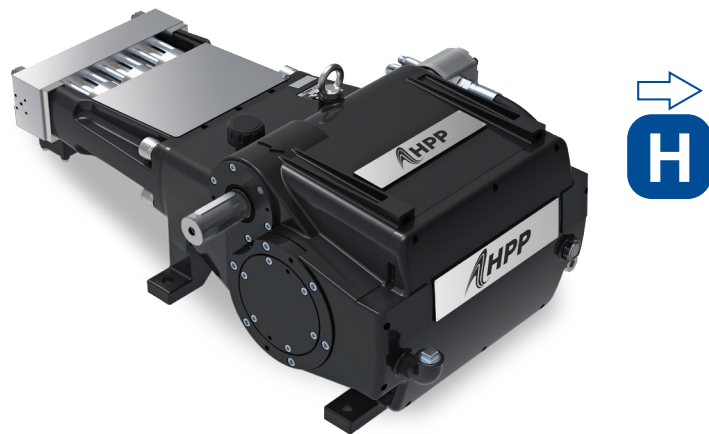



H-550 SAP



LEGEND

 With tungsten carbide plunger










 With forced lubrication

 Heat exchanger

 Horizontal assembling

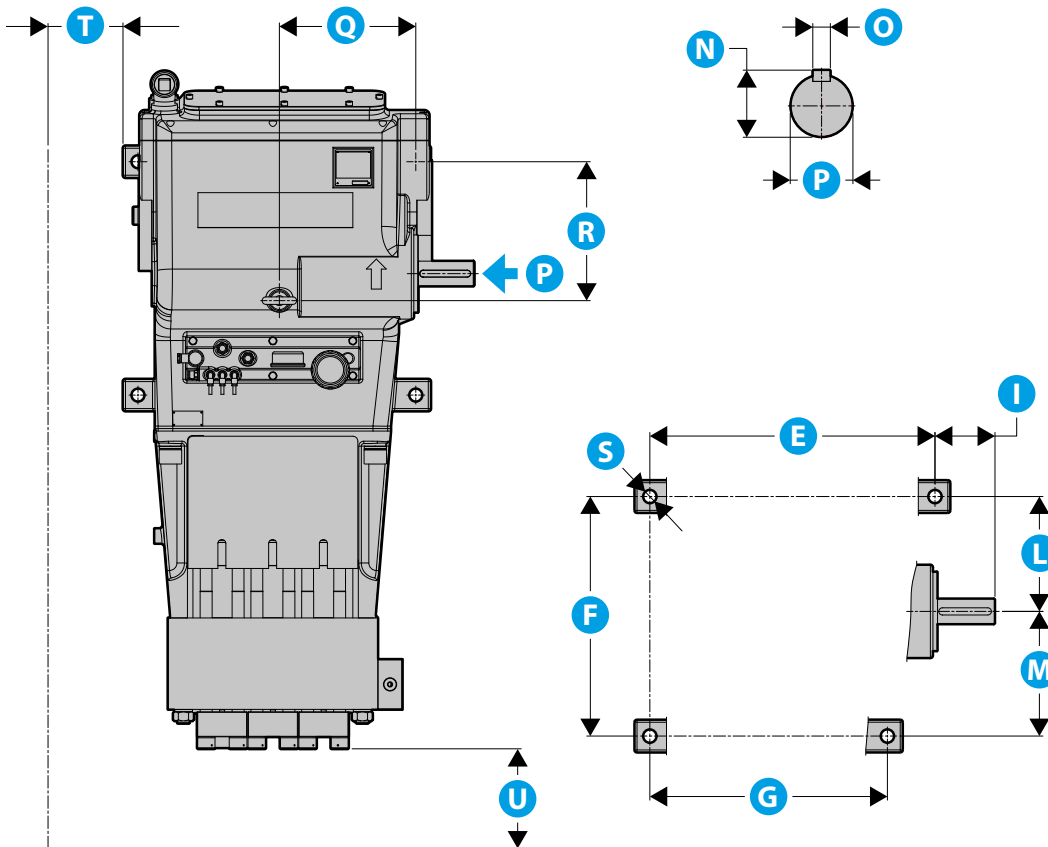
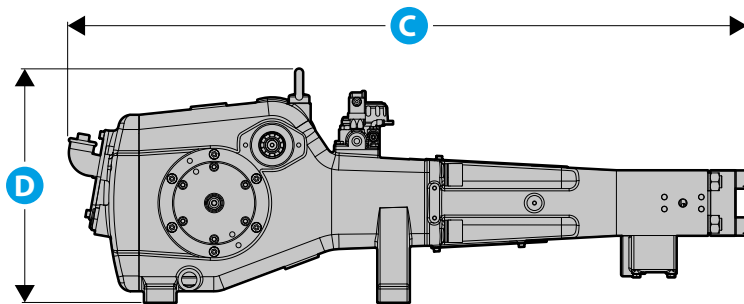
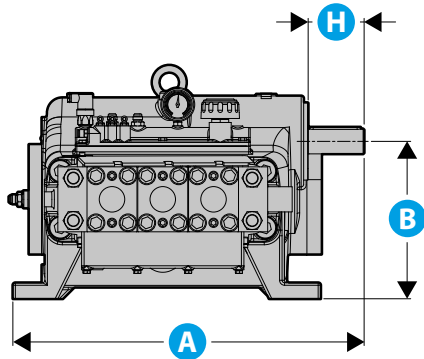
SAP SERIES UP TO 1500 BAR

 H-550 SAP   

 IV GENERATION													
Code	Ø mm	rpm	gear ratio	rpm	l/min	USgpm	bar	psi	MPa	HP	kW	kg	lb
P235562H14400	40	1800	4	450	176,3	46,6	1250	18125	125	555,0	408,2	1500	3307
P235562H14450	45	1800	4	450	223,2	59,0	1000	14500	100	561,9	413,3	1500	3307

Performances refer to theoretical delivery with 100% volumetric efficiency. For continuous or heavy-duty use, contact our technical department.

DIMENSIONS



Pump Model		H-550 SAP
A	mm	1004
	(in)	(39,53)
B	mm	450
	(in)	(17,72)
C	mm	1528
	(in)	(60,16)
D	mm	699
	(in)	(27,52)
E	mm	813
	(in)	(32,01)
F	mm	610
	(in)	(24,02)
G	mm	720
	(in)	(28,35)
H	mm	182
	(in)	(7,17)
I	mm	158,5
	(in)	(6,24)
L	mm	343,5
	(in)	(13,5)
M	mm	266,5
	(in)	(10,49)
N	mm	79,5
	(in)	(3,13)
O	mm	20 (DIN 6885)
	(in)	(0,79)
P	mm	$\varnothing 75$ $+0,021$ $+0,002$
	(in)	($\varnothing 2,95$)
Q	mm	401,5
	(in)	(15,79)
R	mm	426
	(in)	(16,77)
S	mm	$\varnothing 28$
	(in)	(1,10)
T	mm	150
	(in)	(5,91)
U	mm	500
	(in)	(19,69)

PUMP ACCESSORIES

REGULATING VALVES



PNEUMATIC CONTROL VALVES



SAFETY VALVES



PRESSURE GAUGES

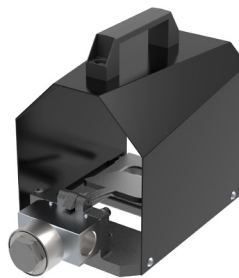


ACCESSORIES FOR WORK

DUMP SHUT GUNS / UNDERWATER GUNS / PNEUMATIC GUNS



DUMP TYPE FOOT VALVE



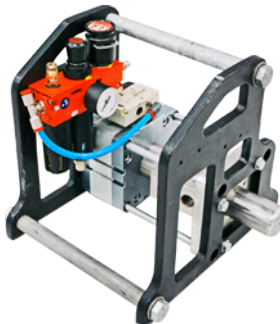
MULTI-JET

Multi-purpose surface. Preparation system for floors and hulls. 2800 bar (40K psi).



POWER BOX

3/2" Ultra High Pressure control valve to control the gun's water flow and/or operate with a multi-gun system.



HIGH PRESSURE HOSES
ULTRA HIGH PRESSURE HOSES



FLEXIBLE LANCE NOZZLES
RIGID LANCE NOZZLES



HIGH PRESSURE SWIVEL FOR HOSES



ROTATING NOZZLES



PROTECTIVE CLOTHING FOR WATERJETTING (TST)



FLEXIBLE LANCES / RIGID LANCES



"TURBO" NOZZLES





Distributed by: / Distribuito da:

P.T.C. Srl › via Mantegna, 4 - 42048 Rubiera (RE) - Italy

Phone: +39 0522/1932911 › Fax: +39 0522/1932922

mail: info@ptcitaliana.com › website: www.ptcitaliana.com
