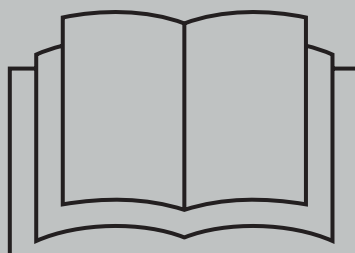


REPAIR MANUAL

H-150/3 SAP



INDEX

HEAD ASSEMBLY	5
SHELL ASSEMBLY	9
TRASMISSION PARTS	14
CONNECTING RODS	18
SELF CENTERING (P-20/P-30)	19
SELF CENTERING (P-32/P-45)	20
SEAL CAGE	21
HEAD SAP (P-20/P-30)	22
HEAD SAP (P-32/P-45)	24
PISTON KIT (P-20)	26
PISTON KIT (P-22)	28
PISTON KIT (P-24)	30
PISTON KIT (P-26)	32
PISTON KIT (P-28)	34
PISTON KIT (P-30)	36
PISTON KIT (P-32)	38
PISTON KIT (P-35)	40
PISTON KIT (P-40)	42
PISTON KIT (P-45)	44

HEAD ASSEMBLY



Head assembly H150/3 SAP.

Fig. 01



Mounting kit repair

Fig. 02



Put O-Ring in Basket Cap.

Fig. 03



Put Bak ring, making sure that it is to the outside as well as the chamfer Bak Ring (indicated with the pen).

Fig. 04



First side.

Fig. 05



Perform the same process on the other hand, stressing attention on the chamfer bak ring.

Fig. 06



Mounted.

Fig. 07



Fit the pressure spring (Pos. 15) in the Pressure Valve.

Fig. 08



Set mounted.

Fig. 09



Place the set in Basket Cap.

Fig. 10



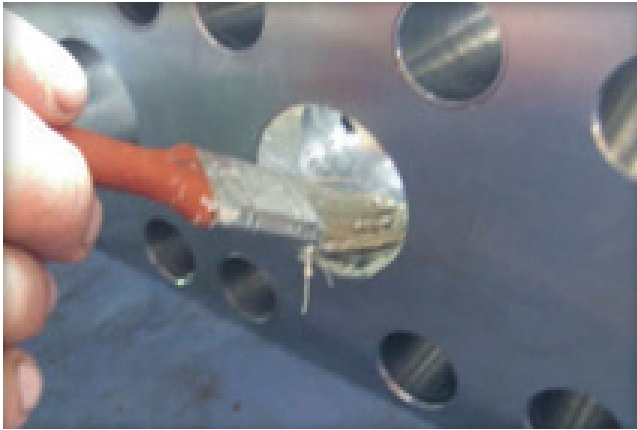
Attach the spring in Basket Cap, with the help of a key to attach it securely.

Fig. 11



Set mounted.

Fig. 12



Skip desingripante grease on the head with a brush.

Fig. 13



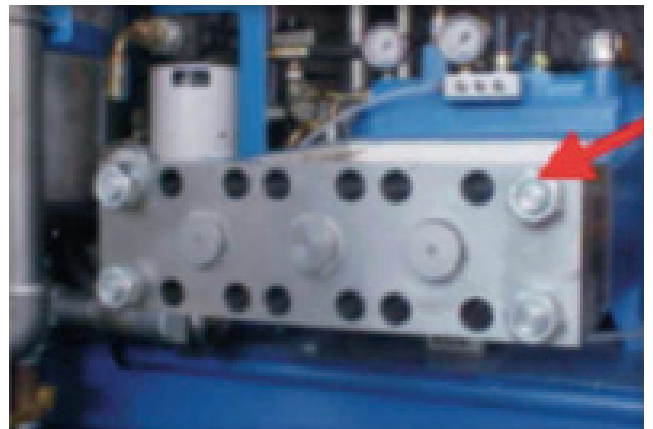
Pass desingripante grease also in Basket cap and place it on the head.

Fig. 14



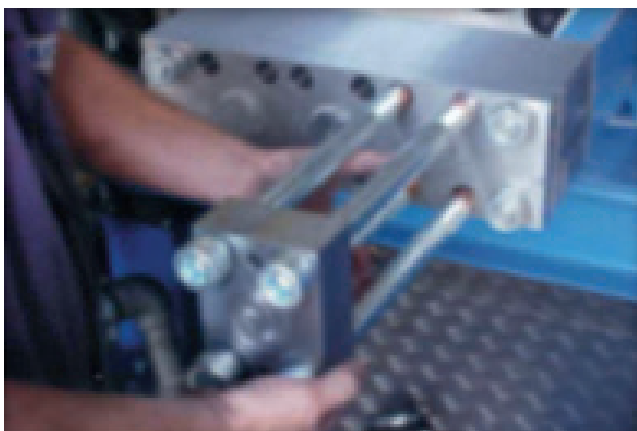
Place the Basket cap on the head with the help of Nylon beater.

Fig. 15



Fix using the nuts with a torque of 320 Nm.

Fig. 16



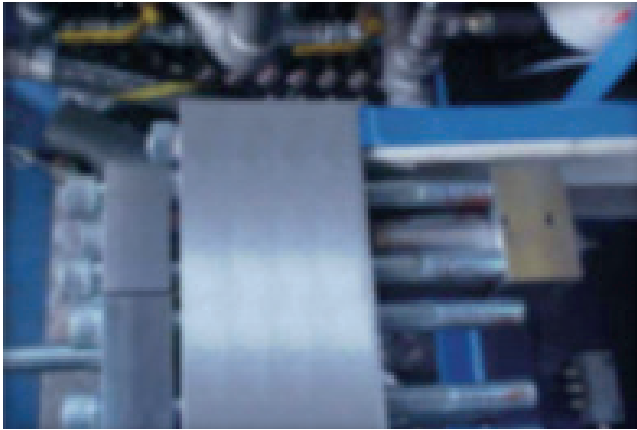
Position the flanges.

Fig. 17



Fit the flange to the head.

Fig. 18



Auto Centering mount and Piston Kit.

Fig. 19



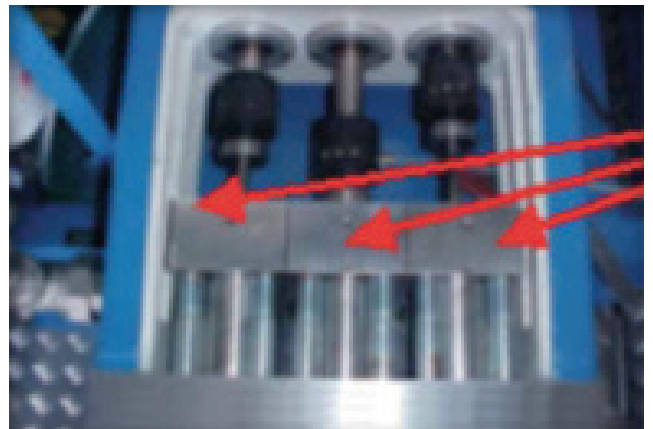
With the Assistance of an allen key, pull the screws, pressing the "X".

Fig. 20



- a) With the aid of a torque wrench, tighten the screws "X", with torque of 320 Nm.
- b) With the Assistance of an allen Wrench, pull the grub screws in "X".

Fig. 21



Check alignment

M24x375 screws have capacity of 20 torques, after this amount may lose their mechanical characteristics.

Fig. 22

SHELL ASSEMBLY

For fitting shirt SAP separate the following items:

1. Piston - 2. Allen screws (12 pcs) - 3. Disk Support - 4. Vedaseal - 5. Straight Connection
6. Flange - 7. Seal Metallic - 8. O-ring - 9. Sliding Sleeve - 10. O-ring - 11. Shirt - 12. Support ring infer.
13. Scraper ring - 14. Lamela Kevlar - 15. Lamela Rami - 16. Super support ring - 17. Spring
18. Support sleeve - 19. Seal top Metallic



1° - Piston SAP dismantled.

Fig. 23



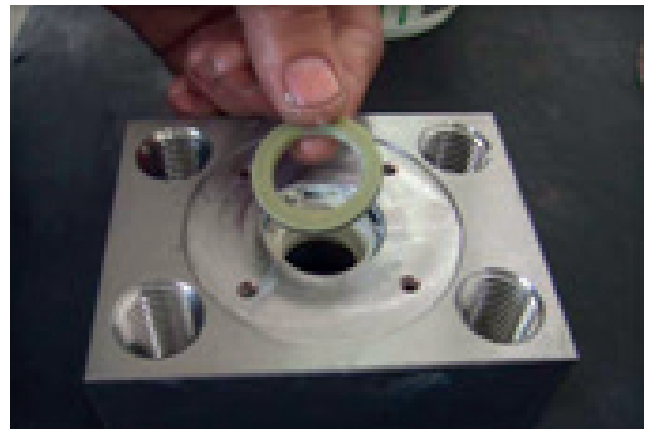
2° - Insert the Sliding Sleeve in Flange.

Fig. 24



3° - Overlap with the O-ring.

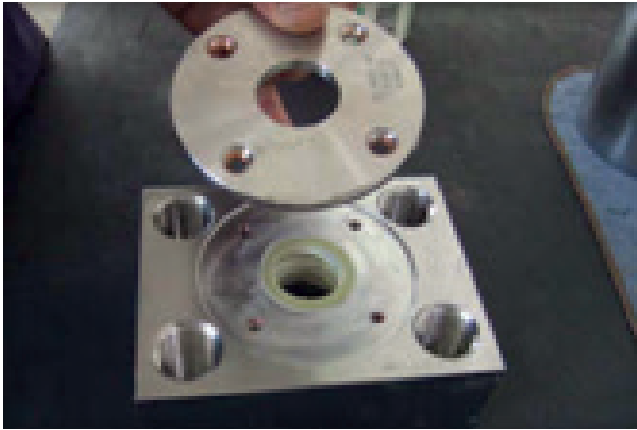
Fig. 25



4° - Enter the Vedaseal with the opening facing shirt use grease "Rocol" type for better sealing.

Fig. 26

(continues on the next page)



5° - Cover the pool using the Disk Support.

Fig. 27



6° - Screw Disk Support "X".

Fig. 28



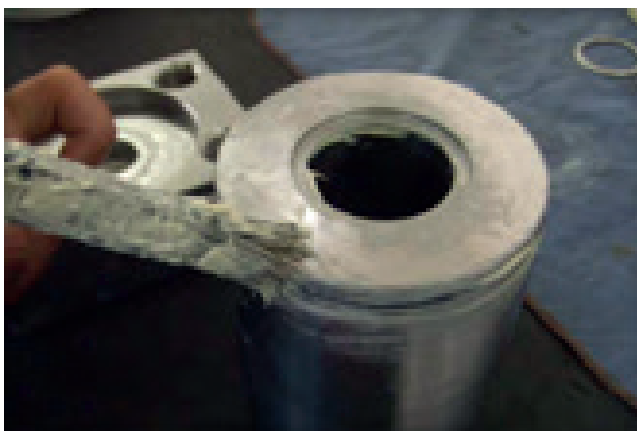
7° - Enter the O-Ring on tear shirt.

Fig. 29



8° - When installing the shirt with the flange, the O-ring will be placed in recess.

Fig. 30



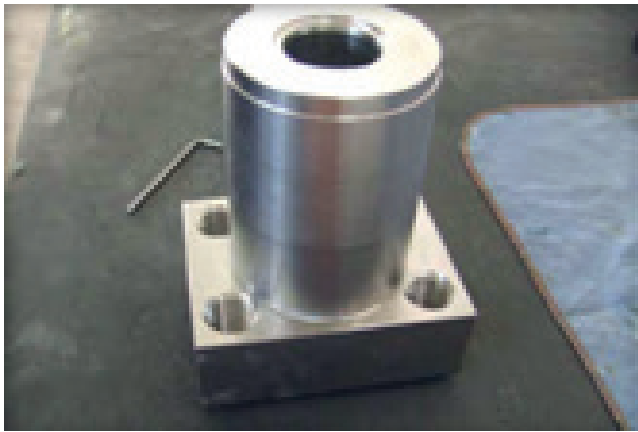
9° - Use grease type "Rocol" for better sealing.

Fig. 31



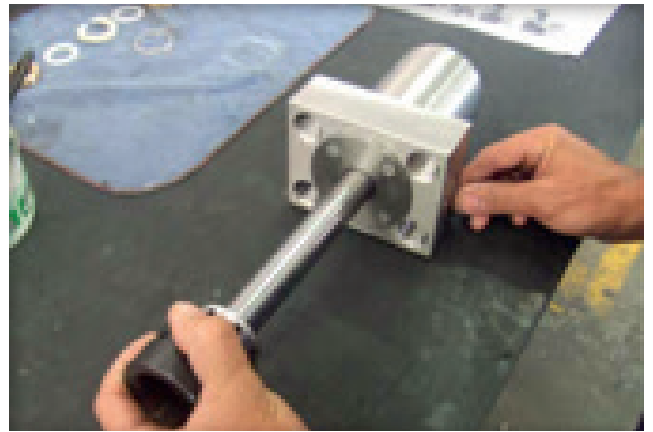
10° - Mount the shirt on SAP Flange.

Fig. 32



11°

Fig. 33



12° - Insert the piston in the set.

Fig. 34



13° - Turn the complete unit and enter the Lower support ring with the bevel facing down.

Fig. 35



14° - Use a Nylon beater to pull the components.

Fig. 36



15° - Insert the first scraper ring.

Fig. 37



16° - Use a Nylon beater to pull the components.

Fig. 38



17° - Enter Lamela Klever.

Fig. 39



18° - Use a Nylon beater to pull the components.

Fig. 40



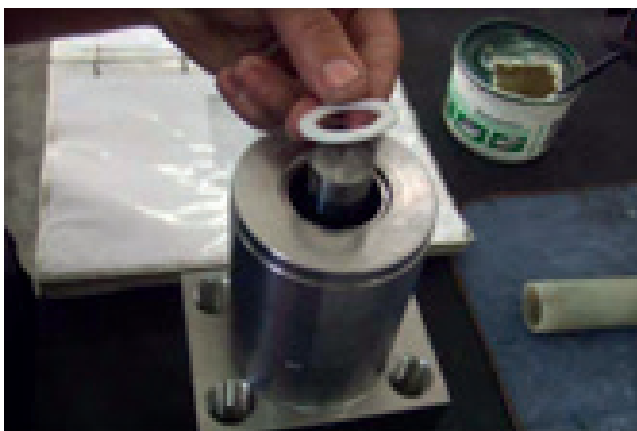
19° - Enter Rami slide, taking care to leave 180° away from the rip and tear this the anterior lamella.

Fig. 41



20° - Use a Nylon beater to pull the components.

Fig. 42



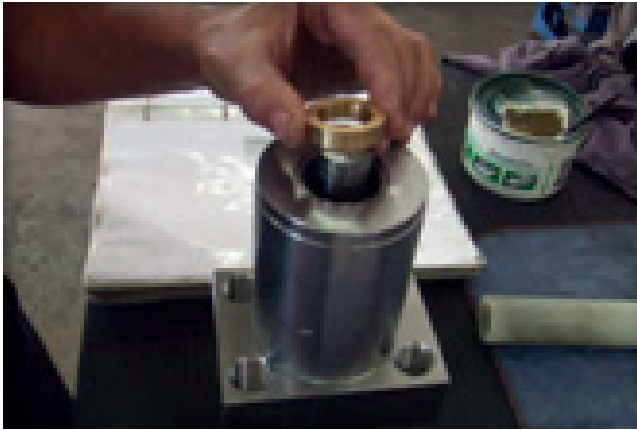
21° - Insert the other scraper ring.

Fig. 43



22° - Use a Nylon beater to pull the components.

Fig. 44



23° - Place the upper support ring (no bevel).

Fig. 45



24° - Use a Nylon beater to pull the components.

Fig. 46



25° - Insert the spring.

Fig. 47



26° - Insert the bushing Support.

Fig. 48



27° - Insert the upper metal seal.

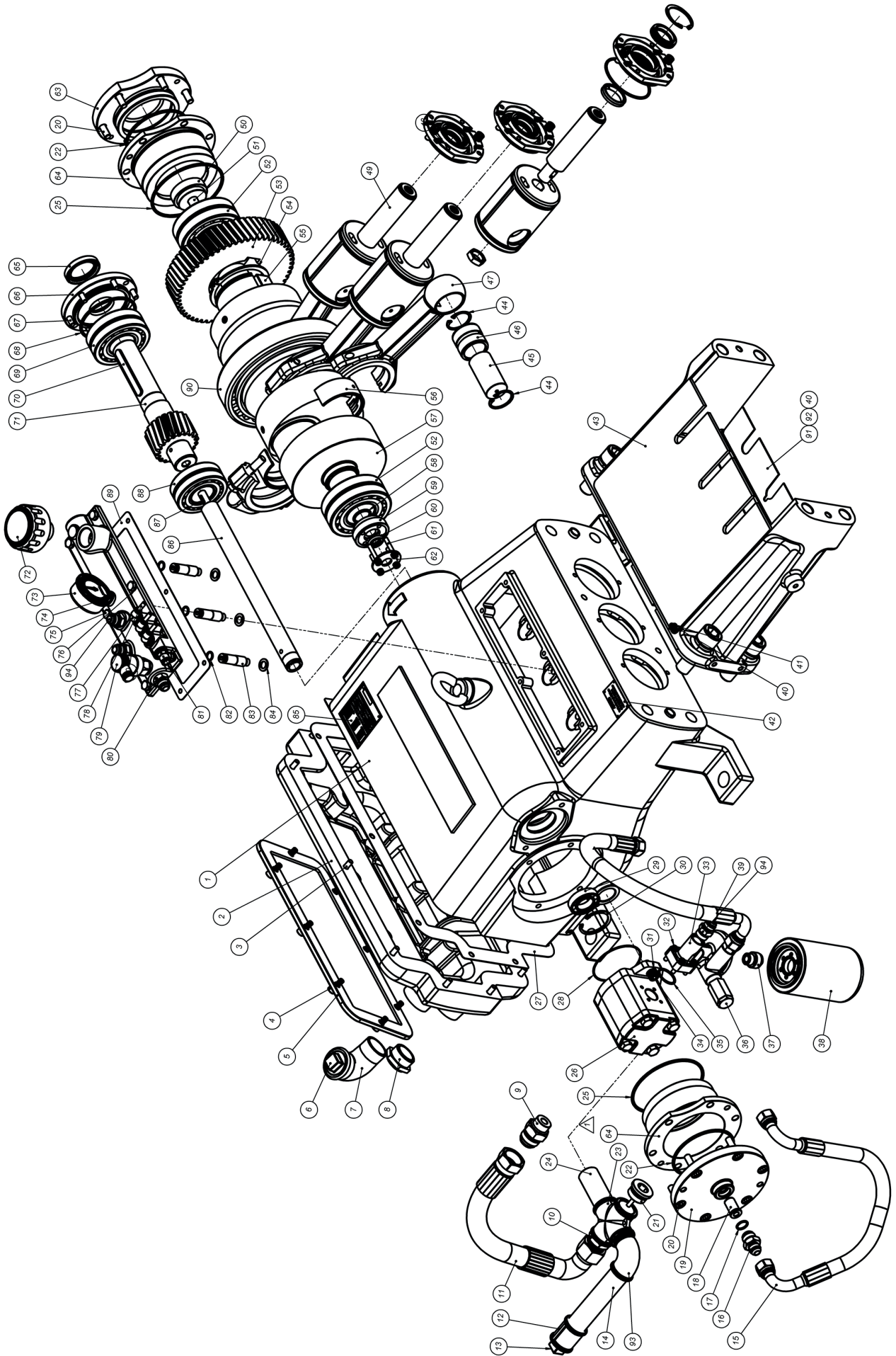
Fig. 49



28° - Mounted piston.

Fig. 50

TRASMISSION PARTS H150/3 - CODE 1010.01108.5



TRANSMISSION PARTS LIST H 150-3 - CODE 1010.01108.5

ITEM	CODE	DESCRIPTION	QTY.
1	1010.01109.0	HOUSING WITH YOKE H120-3	1
2	1110.02227.0	CUT OUT COVER H120-3	1
3	1200.00268.0	ALLEN SCREW M8x30mm	10
4	1200.00550.0	ALLEN SCREW M8x20mm	8
5	1110.00717.0	INSPECTION HOLE COVER	1
6	2320.01611.0	1.1/4" BSP PLUG	1
7	2320.01610.0	1.1/4" BSP ELBOW	1
8	3000.00208.0	OIL LEVEL SIGHT GLASS	1
9	2320.00992.0	NETWORK NIPPLE 1.5/16" UNF JIC x 1/16" VNF PL	1
10	2320.00667.0	1" BSP x 1.5/16" UNF NIPPLE	1
11	1010.00792.0	PUMP-OIL PUMP CONNECTION HOSE	1
12	2320.00924.0	1" BSP SLEEVE	1
13	2320.00214.0	1" BSP PLUG	1
14	2370.00501.0	SCH 40 150mm PIPE	1
15	1010.00731.0	DUCT-CRANKSHAFT CONNECTION HOSE	1
16	2320.00778.0	M22 x 1.5 PL x 3/4" UNF JIC REDUCING NIPPLE	1
17	1300.00848.0	O-RING	1
18	1110.02304.0	GLYD ROTOR SHAFT	1
19	1110.02266.0	SIDE CRANKSHAFT COVER RG H120-3	1
20	1200.00139.0	ALLEN BOLT M10x30mm	12
21	2320.01677.0	BMA 1" BSP MAGNETIC PLUG	1
22	1300.00600.0	O-RING	2
23	2320.00237.0	1" BSP YOKE	1
24	2370.00501.0	SCH 40 150mm PIPE	1
25	1300.00381.0	O-RING	2
26	3000.01773.0	LUBRICATION PUMP	1
27	1300.00825.0	CUT OUT GASKET COVER H120-3	1
28	1300.00582.0	O-RING	1
29	1700.00195.0	RIGID BALL BEARING	1
30	1200.00826.0	ELASTIC RING	1
31	1200.00103.0	PRESSURE WASHER M10	2
32	1200.00222.0	ALLEN SCREW M6x25mm	4
33	1110.03036.0	LUBRICATION MANIFOLD	1
34	1200.00140.0	ALLEN BOLT M10x25mm	2
35	1300.00256.0	O-RING	1
36	3000.01020.0	RELIEF VALVE	1
37	2320.01708.0	3/4" BSP x 3/4" UNF REDUCING NIPPLE	1
38	3000.02147.0	OIL FILTER	1
39	1010.01489.0	MANIFOLD-DUCT CONNECTION HOSE	1
40	1200.00191.0	FLAT WASHER M6	4
41	1200.00265.0	ALLEN SCREW M6x15mm	1
42	3000.01794.0	TORQUE NAMEPLATE	1

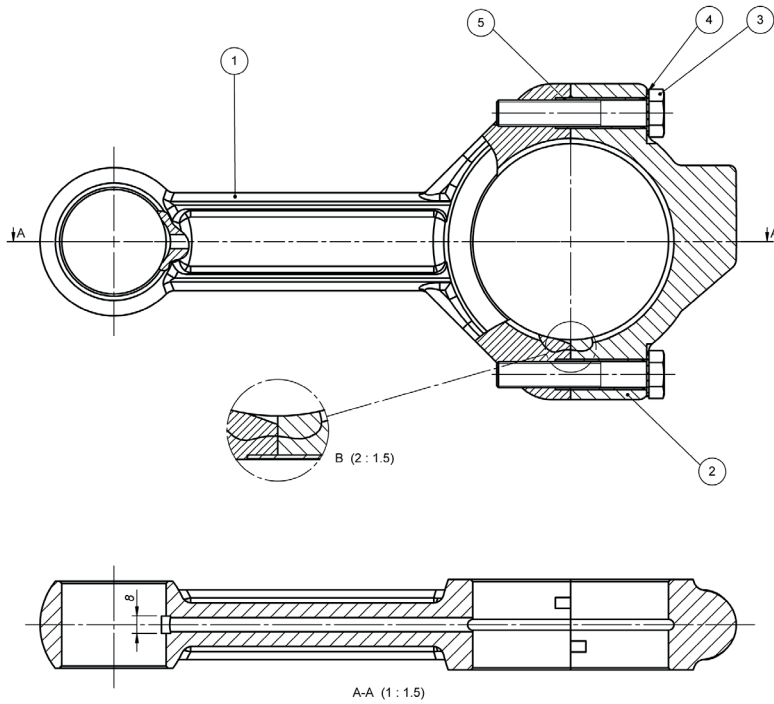
TRANSMISSION PARTS LIST H 150-3 - CODE 1010.01108.5

ITEM	CODE	DESCRIPTION	QTY.
43	1110.01128.0	PISTON COVER	1
44	1200.00278.0	ELASTIC RING 1-39	6
45	1100.00196.0	ROD PIN	3
46	1700.00135.0	ROD BUSHING	3
47	1010.01112.0	ROD H120-3	3
48	1010.01097.0	SEAL CAGE	3
49	1010.01111.0	GUIDE PISTON H120-3	3
50	1110.01100.0	STOP BUSHING	1
51	1200.00186.0	ALLEN SCREW M16x40mm	1
52	1700.00138.0	BEARING	2
53	1110.01076.0	CROWN H120-3 - 60Hz	1
54	1200.00362.0	ELASTIC RING E-95	1
55	1200.00178.0	LINCHPIN	1
56	1700.00125.0	BEARING SHELL	3
57	1010.00771.0	CRANKSHAFT H120-3	1
58	1300.00536.0	O-RING	1
59	1110.01101.0	ROTO GLYD STOP BUSHING	1
60	1300.00502.0	ROTO GLYD	1
61	1200.00267.0	ALLEN SCREW M6x35mm	4
62	1110.03064.0	ROTO GLYD COVER H120-H 200-H 300	1
63	1110.01094.0	CRANKSHAFT COVER H120-3	1
64	1110.01098.0	BEARING HOUSING	2
65	1300.00535.0	SEAL	1
66	1110.01099.0	DRIVE SHAFT FLANGE	1
67	1200.00134.0	ALLEN SCREW M8x20mm	6
68	1300.00111.0	O-RING	1
69	1700.00116.0	BEARING	1
70	1200.00182.0	LINCHPIN	1
71	1110.01077.0	PINION H120-3 - 60Hz	1
72	3000.00119.0	BREATHER 1" BSP	1
73	3000.00321.0	PRESSURE GAUGE	1
74	1110.03092.0	LUBRICATION DUCT	1
75	1200.00828.0	HEX SCREW M8x20mm	6
76	1200.00402.0	FLAT WASHER M8	6
77	2320.00309.0	ADJUSTABLE L CONNECTION 1/4"x6mm	3
78	2370.00605.0	HOSE PU 06mtn	1
79	1010.01074.0	PRESSURE SWITCH	1
80	2320.00283.0	NIPPLE 3/4" UNF PI x 3/4" UNF JIC	3
81	2320.00563.0	STRAIGHT CONNECTION 1/4"x10mm	1
82	1300.00213.0	O-RING	3
83	1110.02620.0	DUCT CONNECTING PIPE	3

TRANSMISSION PARTS LIST H 150-3 - CODE 1010.01108.5

ITEM	CODE	DESCRIPTION	QTY.
84	1300.00176.0	COPPER RING	3
85	3000.00120.0	NAMEPLATE	1
86	1110.02621.0	EXPANDER	1
87	1200.00300.0	WOODRUFF KEY	1
88	1700.00151.0	BEARING	1
89	1300.00224.0	OIL DUCT GASKET	1
90	1700.00150.0	ROLLER BEARING	1
91	1110.03223.0	PISTON COVER	1
92	1200.00161.0	ALLEN SCREW M6x12mm	3
93	2320.00229.0	MF 1" BSP ELBOW	1
94	2320.01753.0	NIPPLE 3/4" UNF JIC x 1/2" BSP PL	2

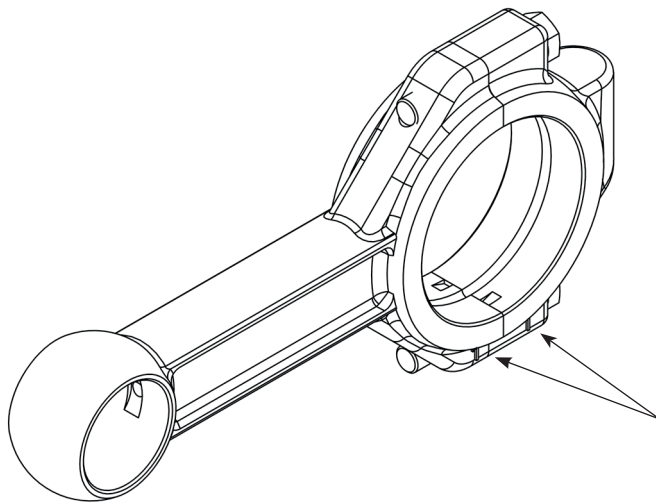
CONNECTING RODS - CODE 1010.01112.0



BOLT TORQUE: 110 N

3 SETS PER PUMP

ITEM	CODE	DESCRIPTION	QTY.
1	1110.02225.0	ARM OF CONNECTING ROD	1
2	1110.02226.0	BEARING OF CONNECTING ROD	1
3	1200.00187.0	HEX BOLT M12x70	2
4	1200.00190.0	TOOTHED WASHER M12	2
5	1200.00881.0	ELASTIC GUIDE BUSHING	2

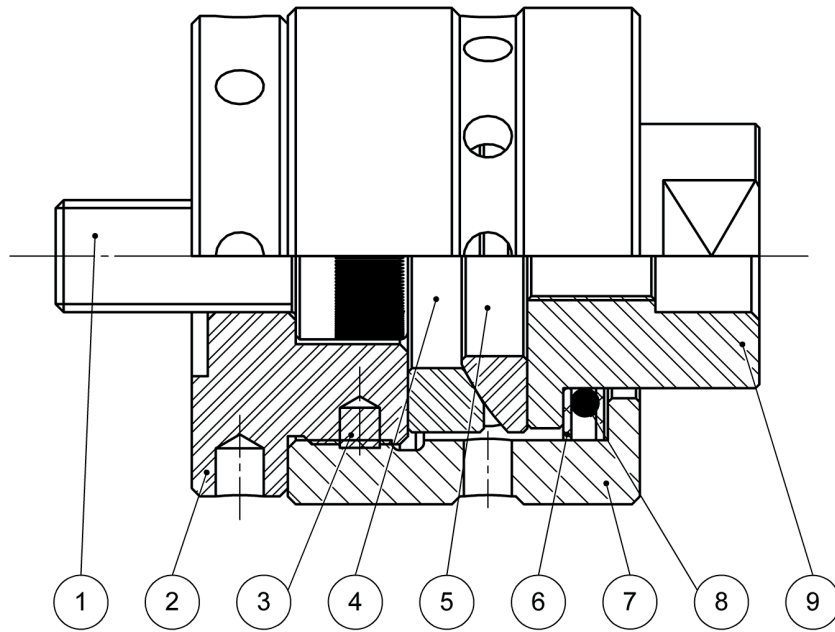


ATTENTION!
ASSEMBLE WITH NUMBERS
FACING THE SAME SIDE

⚠ Attention!

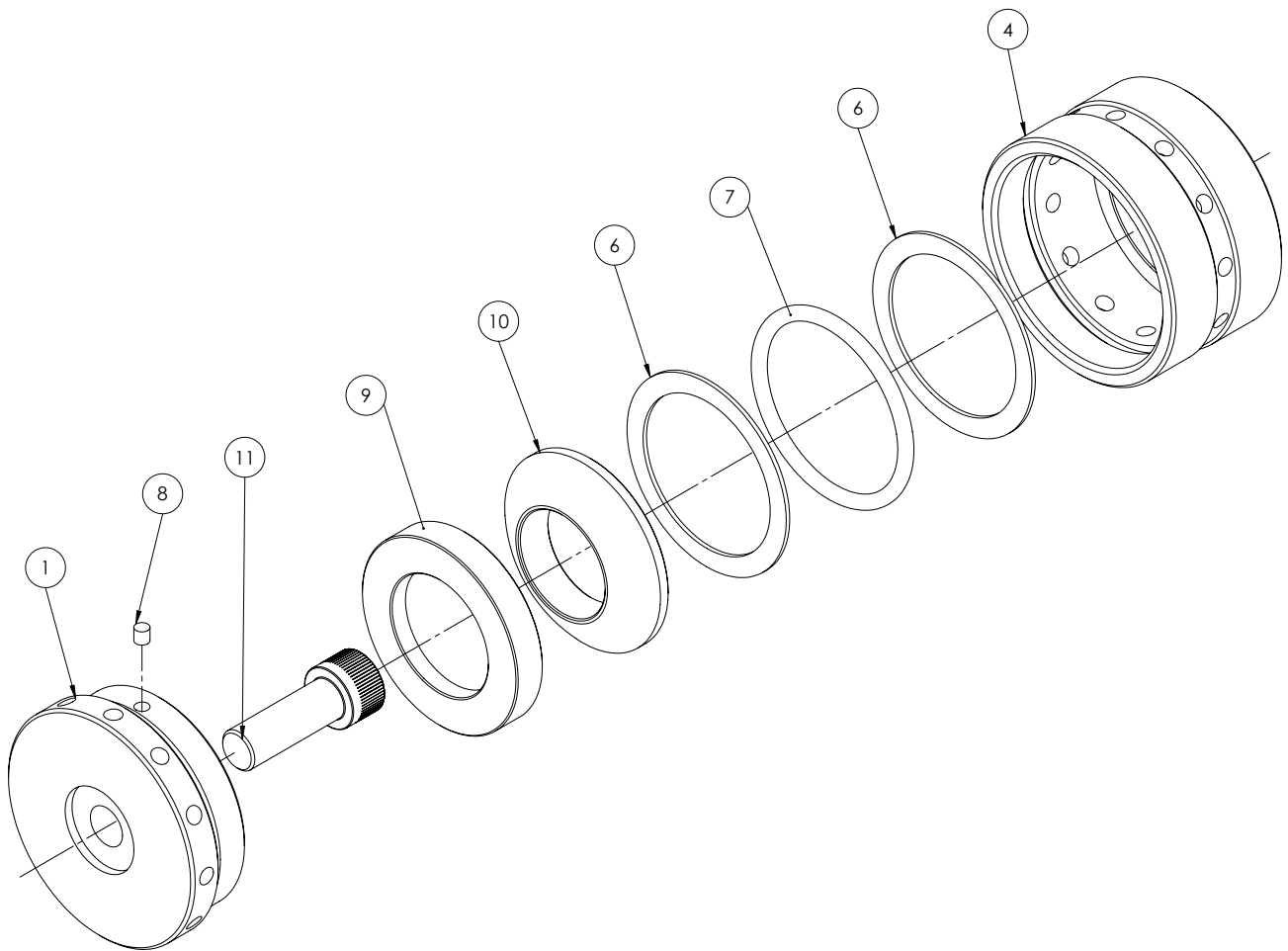
- ▶ All connecting rods are numbered.
- ▶ Always assemble arm and bearing of the connecting rod so that the unsequenced number is shown.
- ▶ Never replace arms and bearing by a connecting rod from a different set.

SELF CENTERING (P20 / P30) - CODE 1010.00268.0



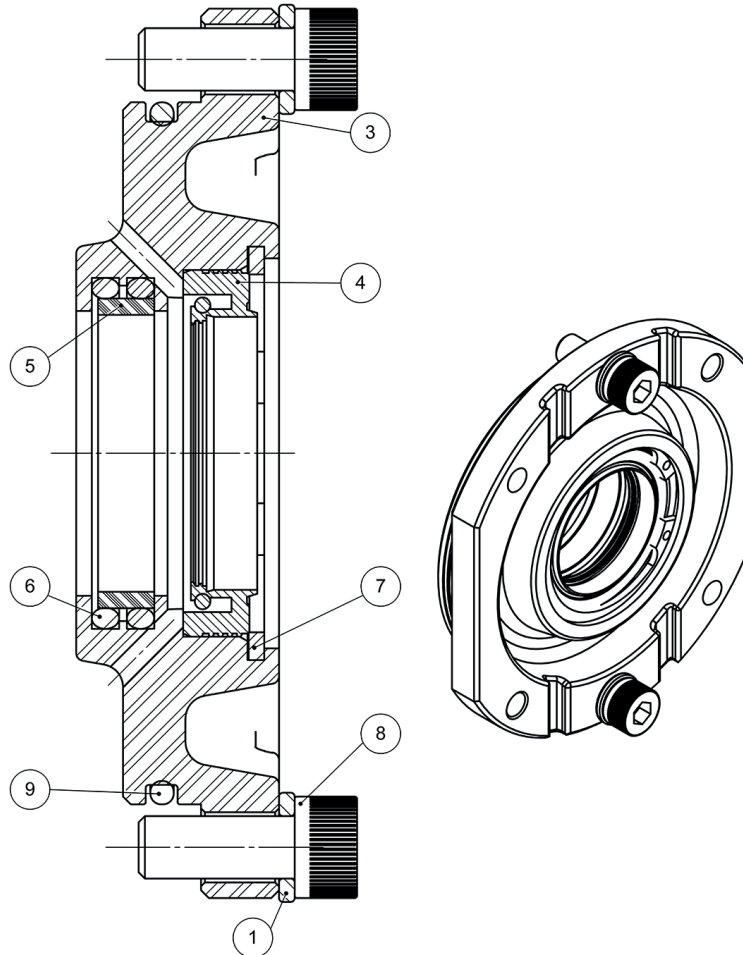
ITEM	CODE	DESCRIPTION	QTY.
1	1200.00297.0	ALLEN SCREW M14x30 DIN 919	1
2	1110.00719.0	SELF CENTERING P-14 / P-30	1
3	2380.01467.0	SPIGOT	1
4	1110.00631.0	SPHERICAL RING	1
5	1110.00630.0	SPHERICAL RING	1
6	1110.00724.0	BACK UP RING	2
7	1110.00721.0	SELF CENTERING SCREW	1
8	1300.00361.0	O-RING	1
9	1110.00820.0	CONECT BUSHING	1

SELF CENTERING (P32 / P45) - CODE 1010.00419.0



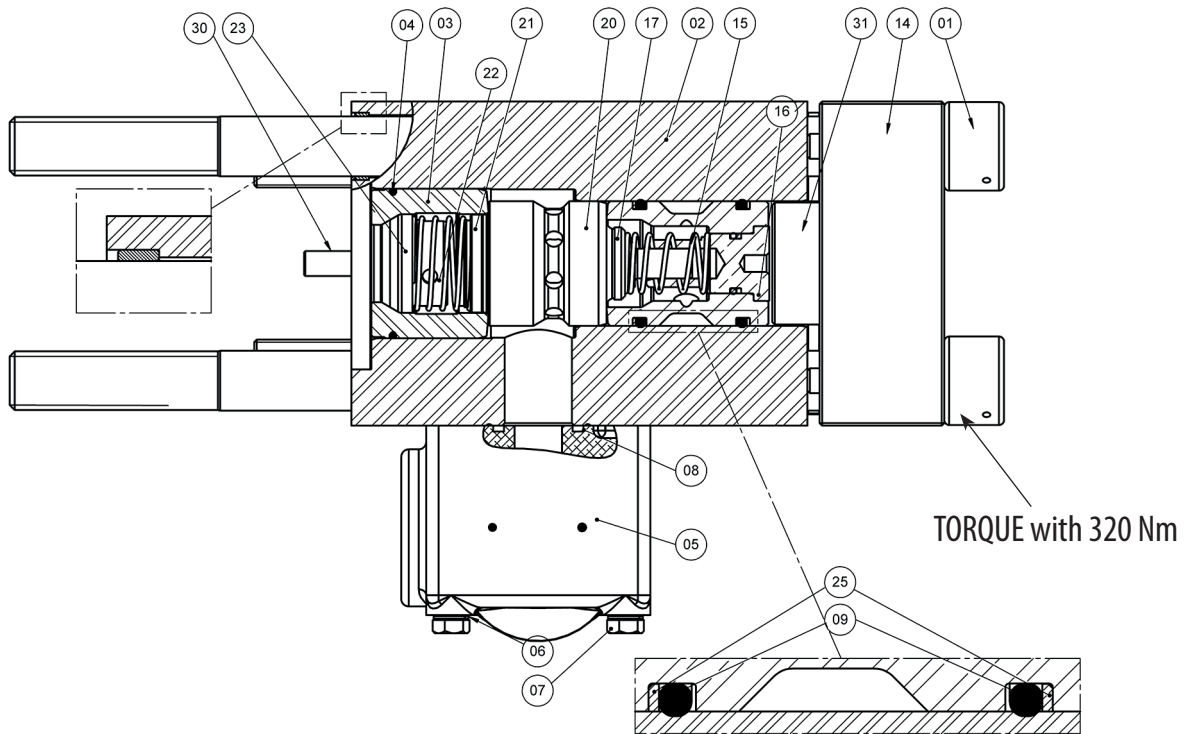
ITEM	CODE	DESCRIPTION	QTY.
1	1110.01335.0	SELF CENTERING	1
4	1110.01334.0	CONNECT BUSHING	1
6	1110.01333.0	BACK UP RING	2
7	1300.00604.0	O-RING 60x5	1
8	1110.01028.0	SPIGOT	1
9	1110.01324.0	SPHERICAL RING	1
10	1110.01323.0	SPHERICAL RING	1
11	1200.00423.0	ALLEN SCREW M14x40	1

SEAL CAGE - CODE 1010.01097.0

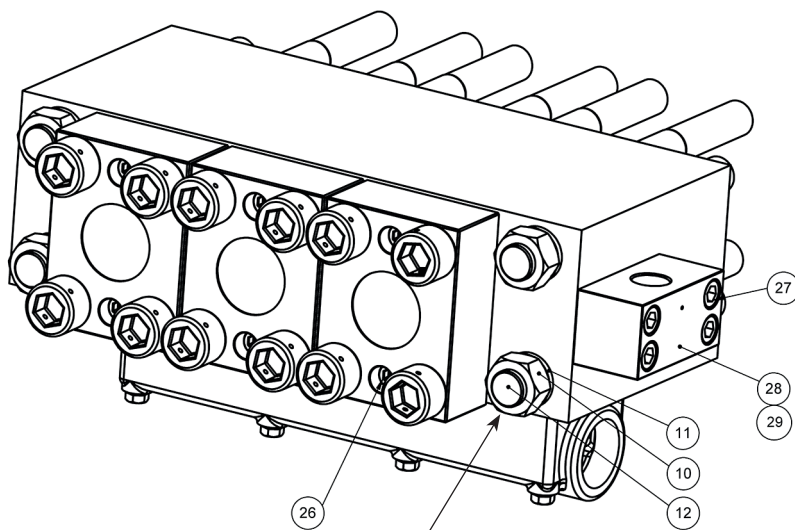


*	ITEM	CODE	DESCRIPTION	QTY.
	1	1200.00107.0	PRESSURE WASHER	2
* Note: Common wear parts or disposable				
	3	1110.02618.0	SEAL CAGE	1
	4	1300.00750.0	SEAL	1
	5	1300.00751.0	SLIDING RING	1
	6	1300.00191.0	O-RING	2
	7	1200.00154.0	ELASTIC RING	1
	8	1200.00550.0	ALLEN SCREW M8X20mm	2
	9	1300.00117.0	O-RING	1

HEAD SAP (P-20/P-30) - CODE 1010.00316.0



ASSEMBLE THE BACK RING (POS.25).
PUT THE CHAMFER ACCORDING TO DETAILS ABOVE.



TORQUE with 320 Nm

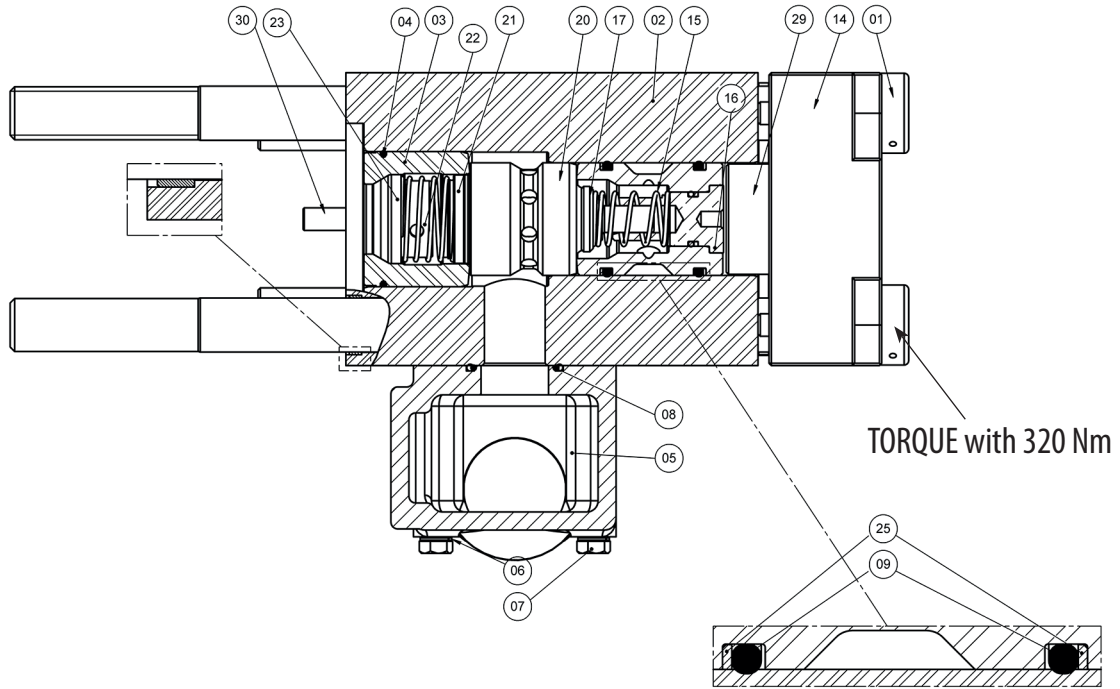
HEAD SAP (P-20/P-30) PARTS LIST H 150-3 - CODE 1010.00316.0

NOTE	ITEM	CODE	DESCRIPTION	QTY.
*	1	1200.00360.0	ALLEN SCREW	12
	2	1010.00759.0	HEAD	1
	3	1110.00872.0	SAP INTERMEDIATE	3
*	4	REPAIR KIT	O-RING	3
*	5	1110.01677.0	SUCTION DUTE	1
	6	1200.00107.0	PRESSURE WASHER	8
*	7	1200.00701.0	ALLEN SCREW	8
*	8	1300.00193.0	O-RING	3
*	9	REPAIR KIT	O-RING	6
	10	1200.00149.0	NUT	4
	11	1200.00363.0	PRESSURE WASHER	4
	12	1200.00359.0	THREADED STUD	4
	14	1110.01111.0	FLANGE	3
*	15	1500.00104.0	PRESSURE SPRING	3
*	16	1010.00104.0	SIX COVER	3
*	17	1100.00107.0	PRESSURE VALVE	3
*	20	1100.00108.0	DOUBLE SEAT	3
*	21	1100.00109.0	SUCTION VALVE	3
*	22	1500.00105.0	SUCTION SPRING	3
*	23	1110.01022.0	GUIDE SPRING	3
	25	REPAIR KIT	BACK RING	6
	26	1200.00163.0	ALLEN SCREW	6
	27	1200.00171.0	ALLEN SCREW	4
	28	1110.00948.0	RUPTURE DISC BLOCK	1
	29	1300.00106.0	O-RING	1
	30	1200.00369.0	GUIDE PIN	2
	31	1110.01339.0	DISTANCE PIN	3

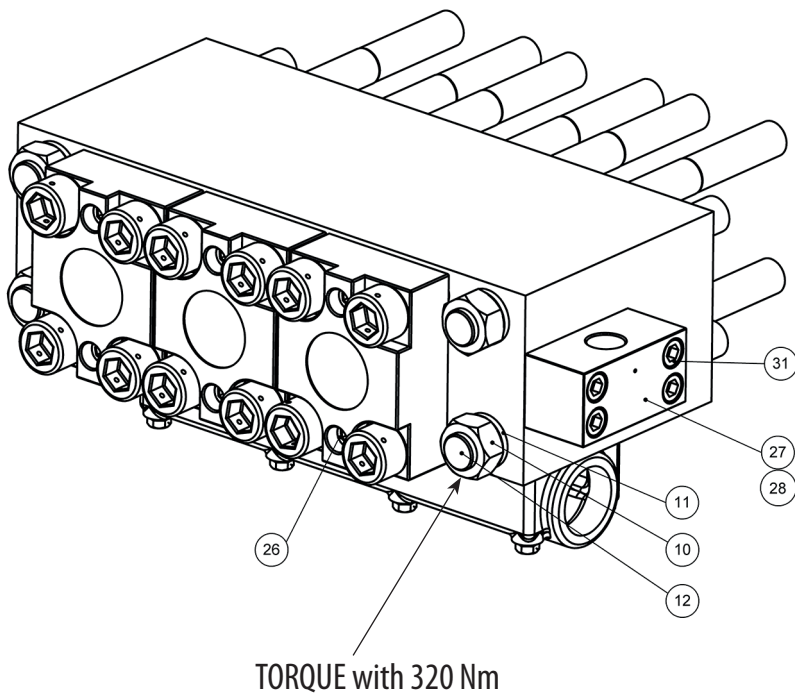
Note: * Common wear parts.

Note: ** 10 torque lifecycle (320 Nm) or 300 work hours (ITEM 27).

HEAD SAP (P-32/P-45) - CODE 1010.00420.0



ASSEMBLE THE BACK RING (POS.25).
PUT THE CHAMFER ACCORDING TO DETAILS ABOVE.

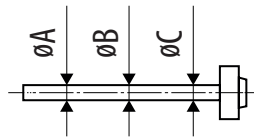


HEAD SAP (P-32/P-45) PARTS LIST H 150-3 - CODE 1010.00420.0

NOTE	ITEM	CODE	DESCRIPTION	QTY.
*	1	1200.00360.0	ALLEN SCREW	12
	2	1010.00759.0	HEAD	1
	3	1110.00872.0	SAP INTERMEDIATE	3
*	4	REPAIR KIT	O-RING	3
*	5	1110.01677.0	SUCTION DUTE	1
	6	1200.00107.0	PRESSURE WASHER	8
*	7	1200.00701.0	ALLEN SCREW	8
*	8	1300.00193.0	O-RING	3
*	9	REPAIR KIT	O-RING	6
	10	1200.00149.0	NUT	4
	11	1200.00363.0	PRESSURE WASHER	4
	12	1200.00359.0	THREADED STUD	4
	14	1110.01338.0	FLANGE	3
*	15	1500.00104.0	PRESSURE SPRING	3
*	16	1010.00104.0	SIX COVER	3
*	17	1100.00107.0	PRESSURE VALVE	3
*	20	1100.00108.0	DOUBLE SEAT	3
*	21	1100.00109.0	SUCTION VALVE	3
*	22	1500.00105.0	SUCTION SPRING	3
*	23	1110.01022.0	GUIDE SPRING	3
	25	REPAIR KIT	BACK RING	6
	26	1200.00163.0	ALLEN SCREW	6
	27	1110.00948.0	RUPTURE DISC BLOCK	1
	28	1300.00106.0	O-RING	1
	29	1110.01339.0	DISTANCE PIN	3
	30	1200.00369.0	GUIDE PIN	2
	31	1200.00171.0	ALLEN SCREW	4

Note: * Common wear parts.

Note: ** 10 torque lifecycle (320 Nm) or 300 work hours (ITEM 31).



Ø Nominal	Appropriate	Critical	Change
20 mm	-0,01	-0,07	-0,1
	-0,06	-0,09	

ANALYSE PISTON DIMENSIONS WHEN CHANGING THE SEALS OR EVERY 500 HOURS RESPECT THE WEAR LIMIT.

PISTON KIT P-20 PARTS LIST H 150-3 - CODE 1010.00360.0				
NOTE	ITEM	CODE	DESCRIPTION	QTY.
*	2	1110.01207.0	SUPPORT BUSHING P-20	3
	3	1110.01626.0	JACKET P-20	3
	5	1300.00242.0	O-RING	3
***	6	1500.00107.0	SPRING P-20	3
	12	2320.00303.0	STRAIGHT CONNECT	6
	13	1110.00120.0	FLANGE P-20	3
***	14	1110.01625.0	BEARING BUSHING P-20	3
	17	1110.00855.0	SUPPORT DISC P-20	3
	18	1200.00327.0	ALLEN SCREW	12
*	19	1010.00241.0	PISTION P-20	3
		1020.00220.0	SEAL KIT P-20	1

Note: * Common wear parts.

Note: ** Replace with 1000h.

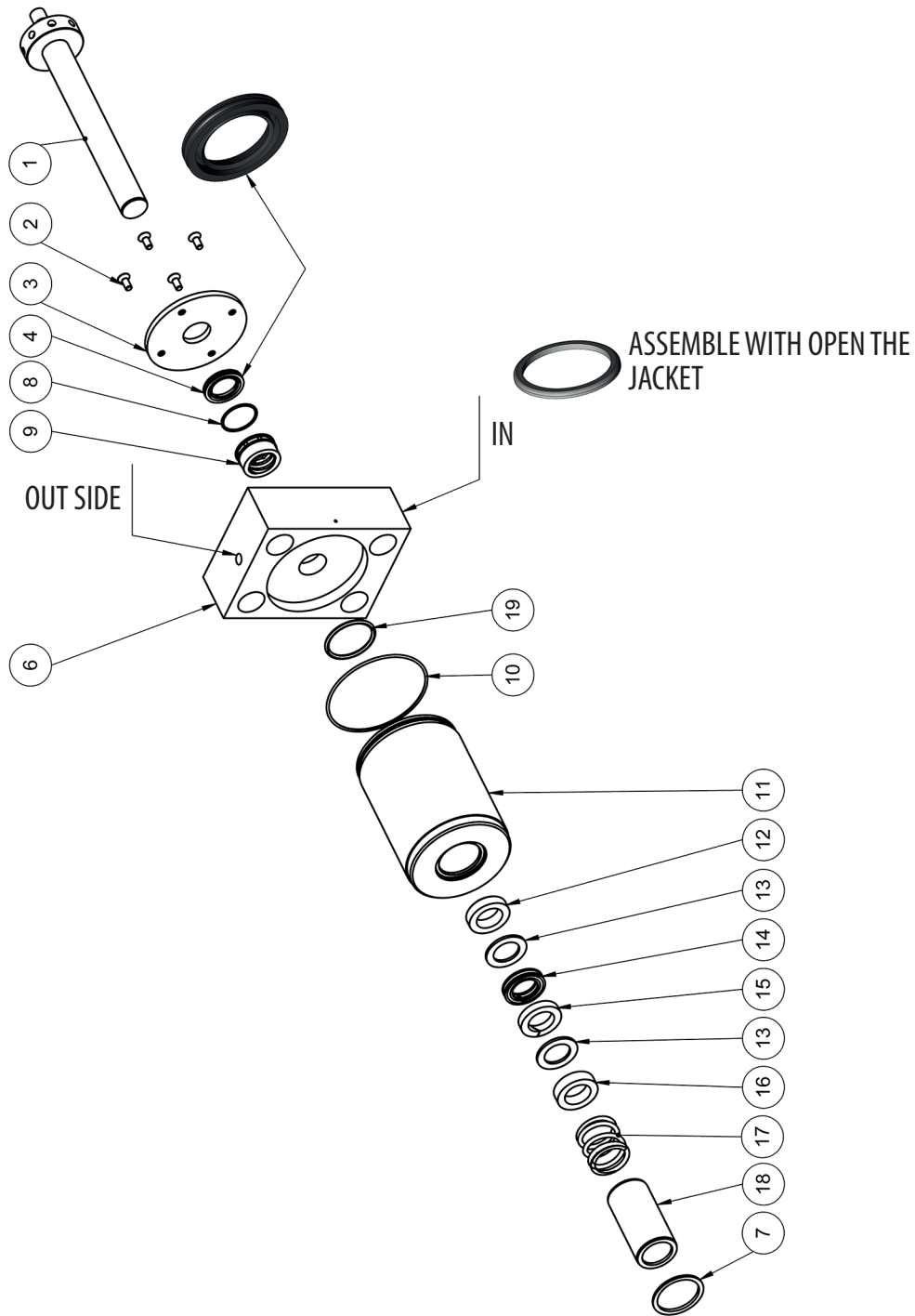
Note: *** Replace with 500h, or with wear parts.

SEAL KIT P-20 PARTS LIST H 150-3 - CODE 1020.00220.0			
NOTE	ITEM	DESCRIPTION	QTY.
*	1	METALIC SEAL	3
*	4	O-RING	3
*	7	UPPER SUPPORT RING P-20	3
*	8	SCRAPER RING P-20	6
*	9	LAMELA P-20	3
*	10	LAMELA P-20	3
*	11	LOWER SUPPORT RING P-20	3
*	15	O-RING	3
*	16	VEDASEAL	3

CAUTION!

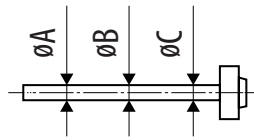
ALL SEAL KITS INCLUDE VEDASEAL (CODE 1300.00589.0L) HOWEVER; THIS ITEM (16) MAY BE PURCHASED SEPARATELY.

PISTON KIT (P-22) - CODE 1010.00378.0



REPLACE SEAL KIT EVERY 500 HOURS TO ENSURE SMOOTH EQUIPMENT OPERATION

NOTE: THE WATER QUALITY DIRECTLY INFLUENCES SEAL LIFECYCLE AND CHANGING TIME MUST BE REDUCED.



Ø Nominal	Appropriate	Critical	Change
22 mm	-0,01	-0,07	-0,1
	-0,06	-0,09	

ANALYSE PISTON DIMENSIONS WHEN CHANGING THE SEALS OR EVERY 500 HOURS RESPECT THE WEAR LIMIT.

PISTON KIT P-22 PARTS LIST H 150-3 - CODE 1010.00378.0				
NOTE	ITEM	CODE	DESCRIPTION	QTY.
*	1	1010.00504.0	PISTON P-22	3
	2	1200.00327.0	ALLEN SCREW	12
	3	1110.00856.0	DISCO DE APOIO P-22	3
	5	2320.00303.0	STRAIGHT CONNECT	6
	6	1110.01252.0	FLANGE P-22	3
***	9	1110.01528.0	BEARING BUSHING P-22	3
	10	1300.00242.0	O-RING	6
	11	1110.01529.0	JACKET P-22	3
**	17	1500.00108.0	SPRING P-22	3
	18	1110.01251.0	SUPPORT BUSHING	3
		1020.00222.0	SEAL KIT P-22 SAP III	1

Note: * Common wear parts.

Note: ** Replace with 1000h.

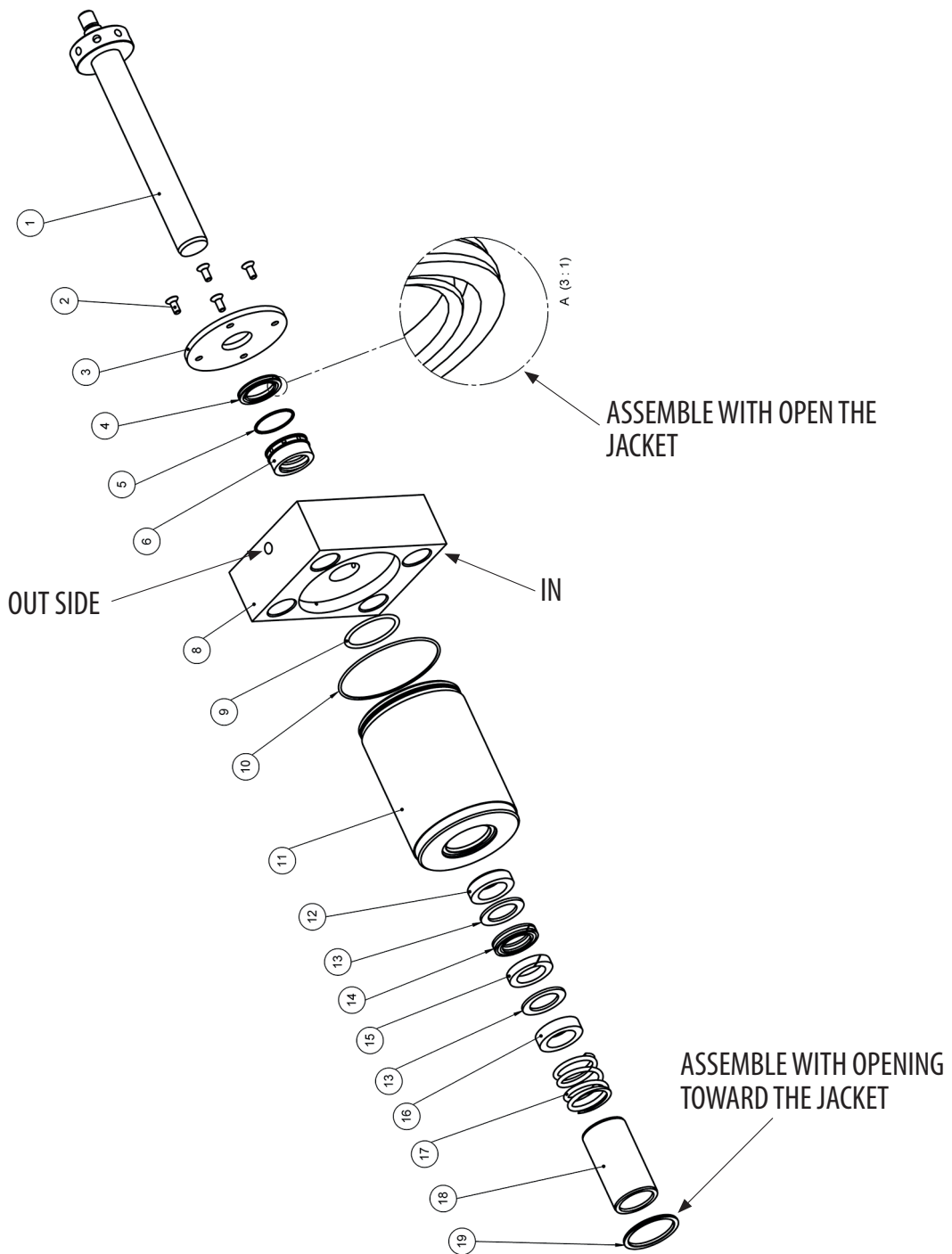
Note: *** Replace with 500h, or with wear parts.

SEAL KIT P-22 PARTS LIST H 150-3 - CODE 1020.00222.0			
NOTE	ITEM	DESCRIPTION	QTY.
*	4	VEDASEAL P-22	3
*	7	METALIC SEAL P-22	3
*	8	O-RING	3
*	12	LOWER SUPPORT RING P-22	3
*	13	SCRAPER RING P-22	6
*	14	LAMELA P-22	3
*	15	LAMELA P-22	3
*	16	UPPER SUPPORT RING P-22	3
*	19	O-RING	3

CAUTION!

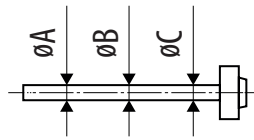
ALL SEAL KITS INCLUDE VEDASEAL (CODE 1300.00590.0L) HOWEVER; THIS ITEM (04) MAY BE PURCHASED SEPARATELY.

PISTON KIT (P-24) - CODE 1010.00169.0



REPLACE SEAL KIT EVERY 500 HOURS TO ENSURE SMOOTH EQUIPMENT OPERATION

NOTE: THE WATER QUALITY DIRECTLY INFLUENCES SEAL LIFECYCLE AND CHANGING TIME MUST BE REDUCED.



Ø Nominal	Appropriate	Critical	Change
24 mm	-0,01	-0,07	-0,1
	-0,06	-0,09	

ANALYSE PISTON DIMENSIONS WHEN CHANGING THE SEALS OR EVERY 500 HOURS RESPECT THE WEAR LIMIT.

PISTON KIT P-24 PARTS LIST H 150-3 - CODE 1010.00169.0				
NOTE	ITEM	CODE	DESCRIPTION	QTY.
*	1	1010.00257.0	PISTON KIT	3
	2	1200.00327.0	ALLEN SCREW	12
	3	1110.00857.0	SUPPORT DISC P-24	3
***	6	1110.02208.0	BEARING BUSHING P-24	3
	7	2320.00303.0	STRAIGHT CONNECT	6
	8	1110.02628.0	FLANGE P-24	3
	10	1300.00242.0	O-RING	6
	11	1110.02209.0	JACKET P-24	3
**	17	1500.00109.0	SPRING P-24	3
	18	1110.00868.0	SUPPORT BUSHING	3
		1020.00224.0	SEAL KIT P-24 SAP III	1

Note: * Common wear parts.

Note: ** Replace with 1000h.

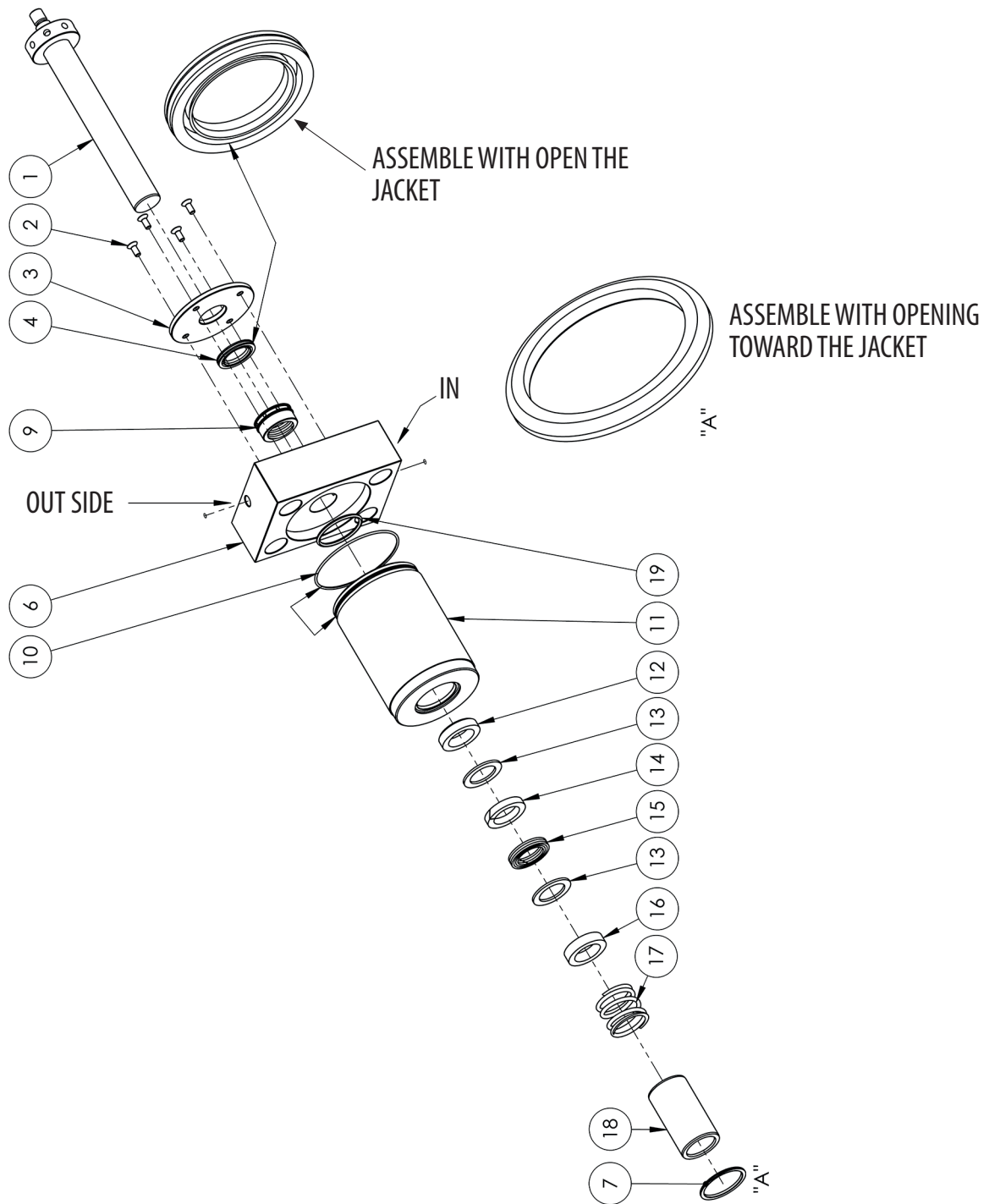
Note: *** Replace with 500h, or with wear parts.

SEAL KIT P-24 PARTS LIST H 150-3 - CODE 1020.00224.0			
NOTE	ITEM	DESCRIPTION	QTY.
*	4	VEDASEAL P-24	3
*	5	O-RING	3
*	9	O-RING	3
*	12	LOWER SUPPORT RING P-24	3
*	13	SCRAPER RING P-24	6
*	14	LAMELA P-24	3
*	15	LAMELA P-24	3
*	16	UPPER SUPPORT RING P-24	3
*	19	METALIC SEAL P-24	3

CAUTION!

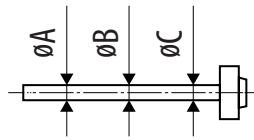
ALL SEAL KITS INCLUDE VEDASEAL (CODE 1300.00591.0L) HOWEVER; THIS ITEM (04) MAY BE PURCHASED SEPARATELY.

PISTON KIT (P-26) - CODE 1010.00485.0



REPLACE SEAL KIT EVERY 500 HOURS TO ENSURE SMOOTH EQUIPMENT OPERATION

NOTE: THE WATER QUALITY DIRECTLY INFLUENCES SEAL LIFECYCLE AND CHANGING TIME MUST BE REDUCED.



Ø Nominal	Appropriate	Critical	Change
26 mm	-0,01	-0,07	-0,1
	-0,06	-0,09	

ANALYSE PISTON DIMENSIONS WHEN CHANGING THE SEALS OR EVERY 500 HOURS RESPECT THE WEAR LIMIT.

PISTON KIT P-26 PARTS LIST H 150-3 - CODE 1010.00485.0				
NOTE	ITEM	CODE	DESCRIPTION	QTY.
*	1	1010.00331.0	PISTON KIT	3
	2	1200.00327.0	ALLEN SCREW	12
	3	1110.00858.0	SUPPORT DISC P-26	3
	5	2320.00303.0	STRAIGHT CONNECT	6
	6	1110.01112.0	FLANGE P-26	3
***	9	1010.01390.0	BEARING BUSHING	3
	10	1300.00242.0	O-RING	3
	11	1110.01513.0	JACKET P-26	3
**	17	1500.00110.0	SPRING P-26	3
	18	1110.01114.0	SUPPORT BUSHING P-26	3
		1020.00226.0	SEAL KIT P-26 SAP III	1

Note: * Common wear parts.

Note: ** Replace with 1000h.

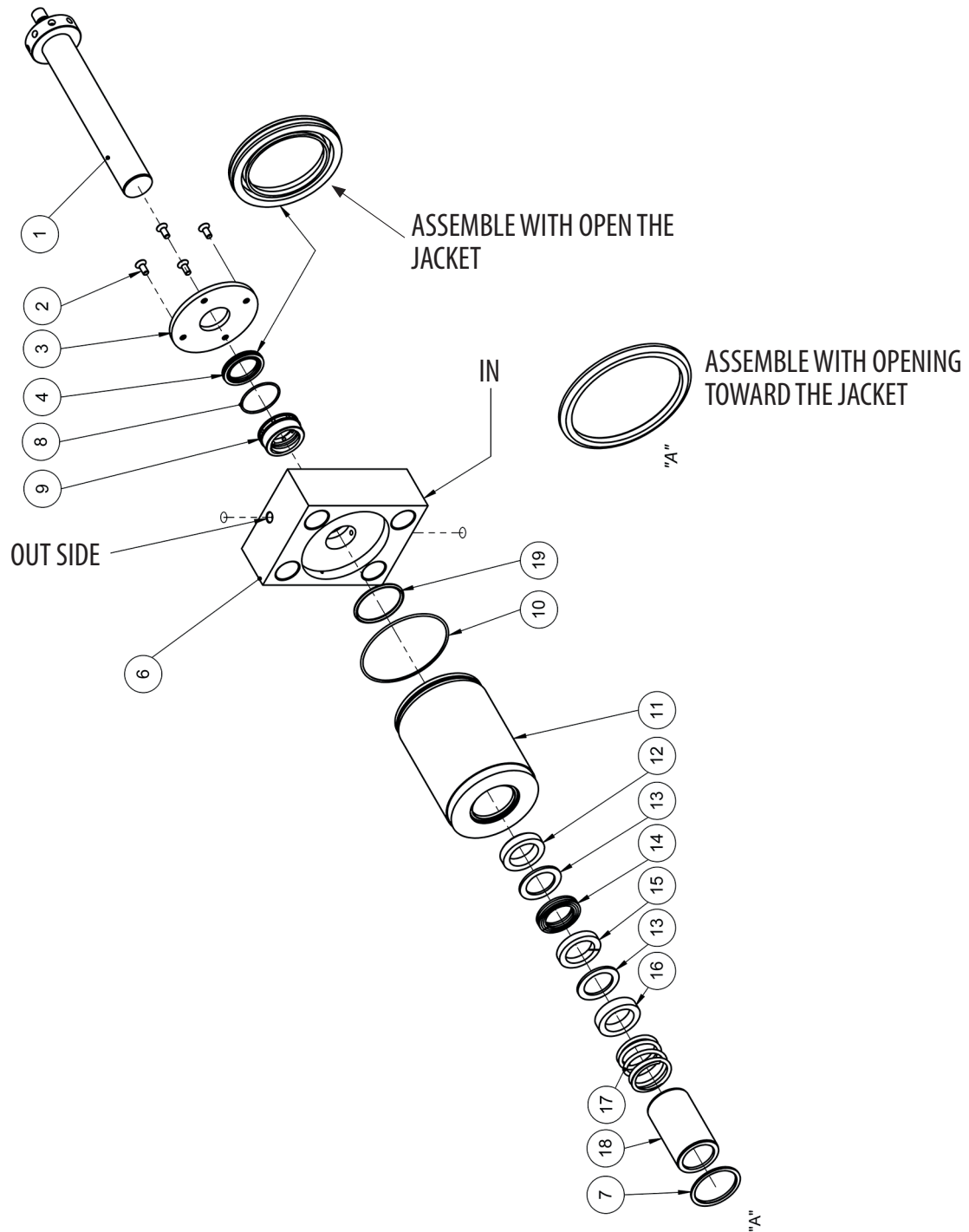
Note: *** Replace with 500h, or with wear parts.

SEAL KIT P-26 PARTS LIST H 150-3 - CODE 1020.00226.0			
NOTE	ITEM	DESCRIPTION	QTY.
*	4	VEDASEAL P-26	3
*	7	METALIC SEAL P-26	3
*	8	O-RING	3
*	12	LOWER SUPPORT RING P-26	3
*	13	SCRAPER RING P-26	6
*	14	LAMELA P-26	3
*	15	LAMELA P-26	3
*	16	UPPER SUPPORT RING P-26	3
*	19	O-RING	3

CAUTION!

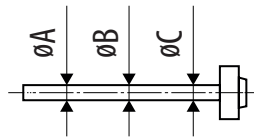
ALL SEAL KITS INCLUDE VEDASEAL (CODE 1300.00592.0L) HOWEVER; THIS ITEM (04) MAY BE PURCHASED SEPARATELY.

PISTON KIT (P-28) - CODE 1010.00488.0



REPLACE SEAL KIT EVERY 500 HOURS TO ENSURE SMOOTH EQUIPMENT OPERATION

NOTE: THE WATER QUALITY DIRECTLY INFLUENCES SEAL LIFECYCLE AND CHANGING TIME MUST BE REDUCED.



Ø Nominal	Appropriate	Critical	Change
28 mm	-0,01	-0,07	-0,1
	-0,06	-0,09	

ANALYSE PISTON DIMENSIONS WHEN CHANGING THE SEALS OR EVERY 500 HOURS RESPECT THE WEAR LIMIT.

PISTON KIT P-28 PARTS LIST H 150-3 - CODE 1010.00448.0				
NOTE	ITEM	CODE	DESCRIPTION	QTY.
*	1	1010.00374.0	PISTON	3
	2	1200.00327.0	ALLEN SCREW	12
	3	1110.00859.0	SUPPORT DISC	3
	5	2320.00303.0	STRAIGHT CONNECT	6
	6	1110.01239.0	FLANGE P-28	3
***	9	1010.01389.0	BEARING BUSHING	3
	10	1300.00242.0	O-RING	3
	11	1110.01336.0	JACKET P-28	3
**	17	1500.00146.0	SPRING P-28	3
	18	1110.01240.0	SUPPORT BUSHING P-28	3
		1020.01240.0	SEAL KIT P-28 SAP III	1

Note: * Common wear parts.

Note: ** Replace with 1000h.

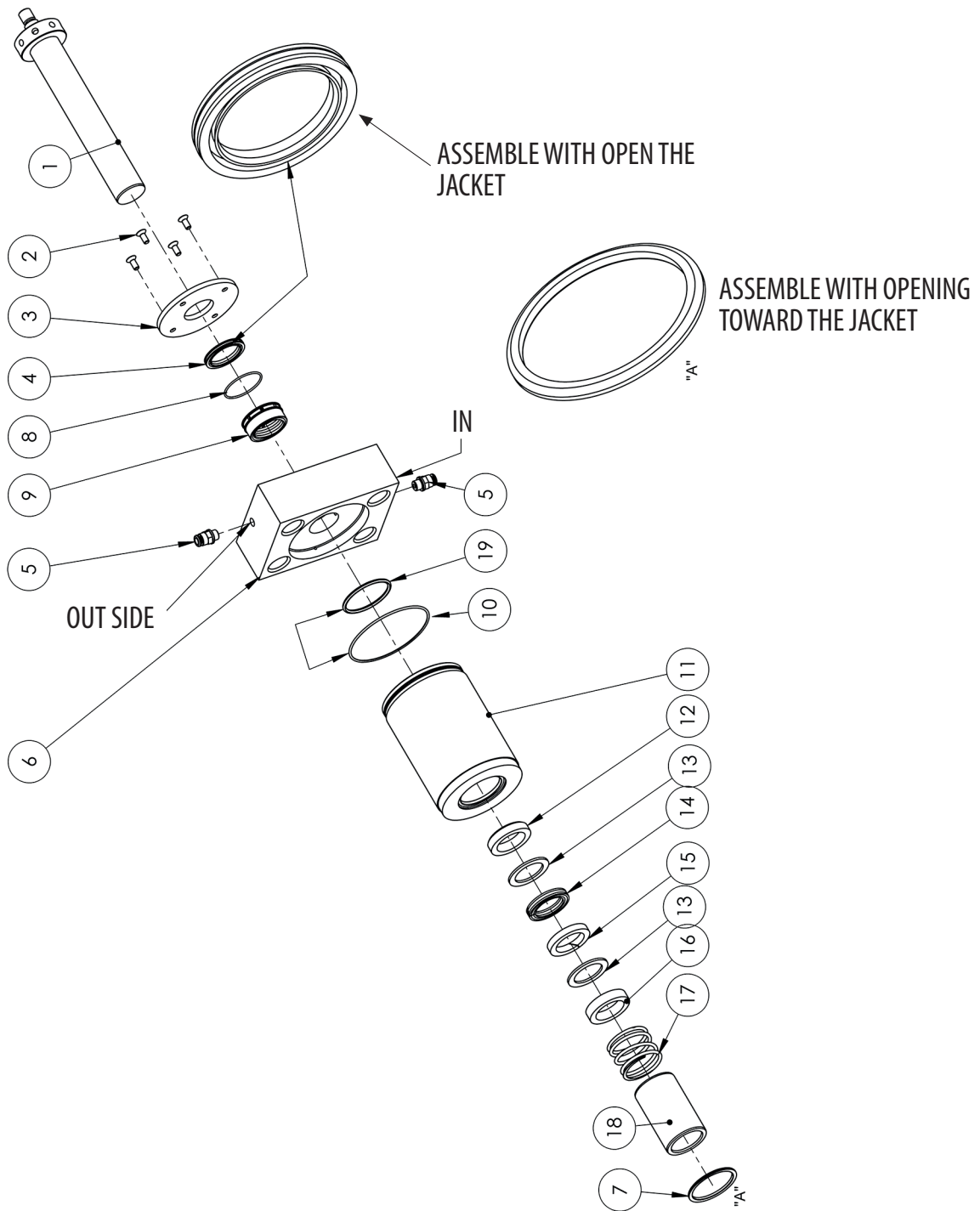
Note: *** Replace with 500h, or with wear parts.

SEAL KIT P-28 PARTS LIST H 150-3 - CODE 1020.01240.0			
NOTE	ITEM	DESCRIPTION	QTY.
*	4	VEDASEAL P-28	3
*	7	METALIC SEAL P-28	3
*	8	O-RING	3
*	12	LOWER SUPPORT RING P-28	3
*	13	SCRAPER RING P-28	6
*	14	LAMELA P-28	3
*	15	LAMELA P-28	3
*	16	UPPER SUPPORT RING P-28	3
*	19	O-RING	3

CAUTION!

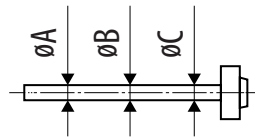
ALL SEAL KITS INCLUDE VEDASEAL (CODE 1300.00593.0L) HOWEVER; THIS ITEM (04) MAY BE PURCHASED SEPARATELY.

PISTON KIT (P-30) - CODE 1010.00424.0



REPLACE SEAL KIT EVERY 500 HOURS TO ENSURE SMOOTH EQUIPMENT OPERATION

NOTE: THE WATER QUALITY DIRECTLY INFLUENCES SEAL LIFECYCLE AND CHANGING TIME MUST BE REDUCED.



Ø Nominal	Appropriate	Critical	Change
30 mm	-0,01	-0,07	-0,1
	-0,06	-0,09	

ANALYSE PISTON DIMENSIONS WHEN CHANGING THE SEALS OR EVERY 500 HOURS RESPECT THE WEAR LIMIT.

PISTON KIT P-30 PARTS LIST H 150-3 - CODE 1010.00424.0				
NOTE	ITEM	CODE	DESCRIPTION	QTY.
*	1	1010.00468.0	PISTON KIT	3
	2	1200.00327.0	ALLEN SCREW	12
	3	1110.00860.0	SUPPORT DISC P-30	3
	5	2320.00303.0	STRAIGHT CONNECT	6
	6	1110.01357.0	FLANGE P-30	3
***	9	1010.01055.0	BEARING BUSHING	3
	10	1300.00242.0	O-RING	3
	11	1110.01353.0	JACKET P-30	3
**	17	1500.00111.0	SPRING P-30	3
	18	1110.01358.0	SUPPORT BUSHING P-30	3
		1020.00230.0	SEAL KIT P-30 SAP III	1

Note: * Common wear parts.

Note: ** Replace with 1000h.

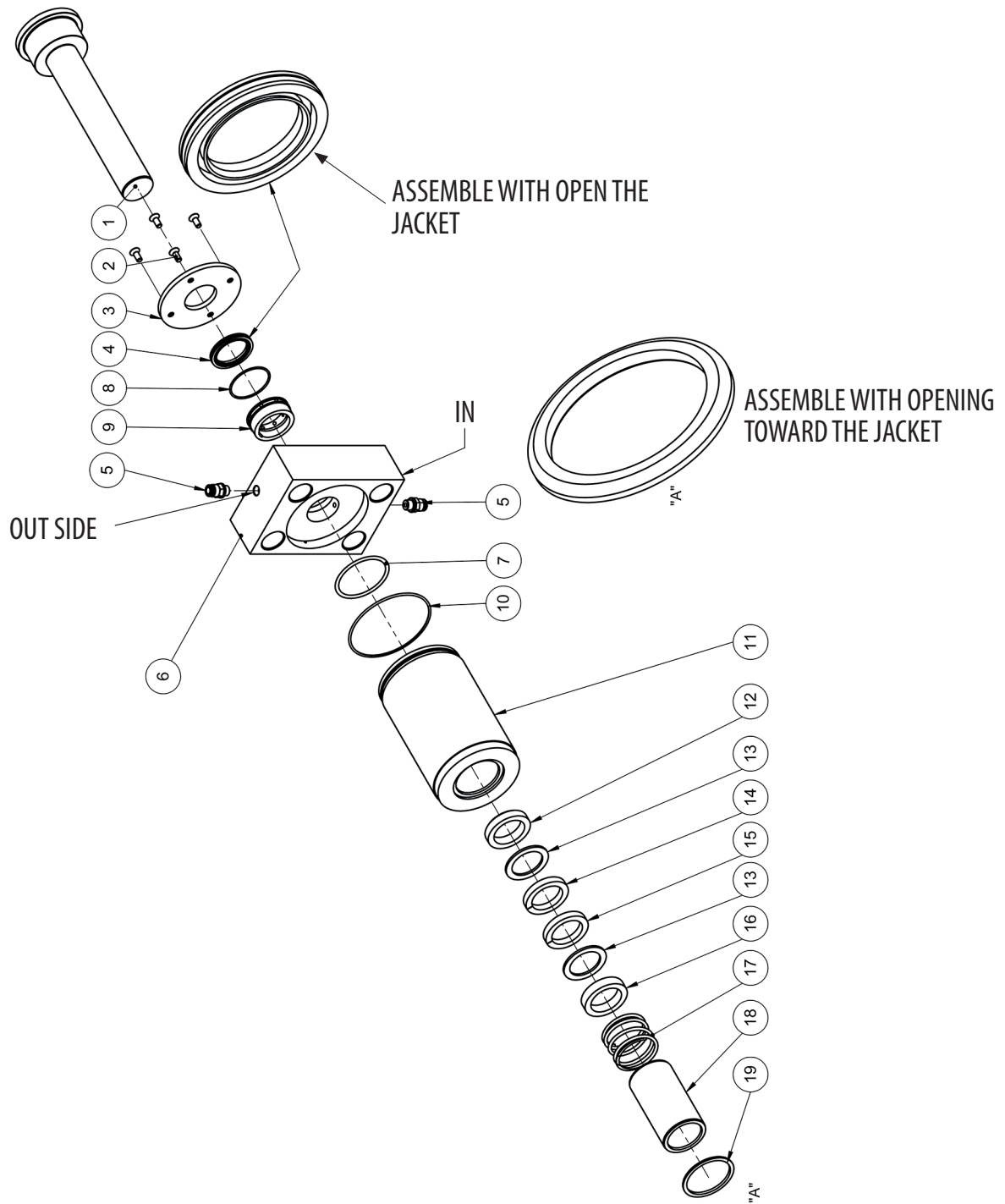
Note: *** Replace with 500h, or with wear parts.

SEAL KIT P-30 PARTS LIST H 150-3 - CODE 1020.00230.0			
NOTE	ITEM	DESCRIPTION	QTY.
*	4	VEDASEAL P-30	3
*	7	METALIC SEAL P-30	3
*	8	O-RING	3
*	12	LOWER SUPPORT RING P-30	3
*	13	SCRAPER RING P-30	6
*	14	LAMELA P-30	3
*	15	LAMELA P-30	3
*	16	UPPER SUPPORT RING P-30	3
*	19	O-RING	3

CAUTION!

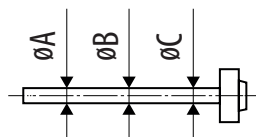
ALL SEAL KITS INCLUDE VEDASEAL (CODE 1300.00594.0L) HOWEVER; THIS ITEM (04) MAY BE PURCHASED SEPARATELY.

PISTON KIT (P-32) - CODE 1010.00433.0



REPLACE SEAL KIT EVERY 500 HOURS TO ENSURE SMOOTH EQUIPMENT OPERATION

NOTE: THE WATER QUALITY DIRECTLY INFLUENCES SEAL LIFECYCLE AND CHANGING TIME MUST BE REDUCED.



Ø Nominal	Appropriate	Critical	Change
32 mm	-0,01	-0,07	-0,1
	-0,06	-0,09	

ANALYSE PISTON DIMENSIONS WHEN CHANGING THE SEALS OR EVERY 500 HOURS RESPECT THE WEAR LIMIT.

PISTON KIT P-32 PARTS LIST H 150-3 - CODE 1010.00433.0				
NOTE	ITEM	CODE	DESCRIPTION	QTY.
*	1	1010.00434.0	PISTON KIT	3
	2	1200.00327.0	ALLEN SCREW	12
	3	1110.00931.0	SUPPORT DISC P-32	3
	5	2320.00303.0	STRAIGHT CONNECT	6
	6	1110.01348.0	FLANGE P-32	3
***	9	1010.01042.0	BEARING BUSHING	3
	10	1300.00242.0	O-RING	3
	11	1110.01422.0	JACKET P-32	3
**	17	1500.00148.0	SPRING P-32	3
	18	1110.00933.0	SUPPORT BUSHING P-32	3
		1020.00232.0	SEAL KIT P-32 SAP III	1

Note: * Common wear parts.

Note: ** Replace with 1000h.

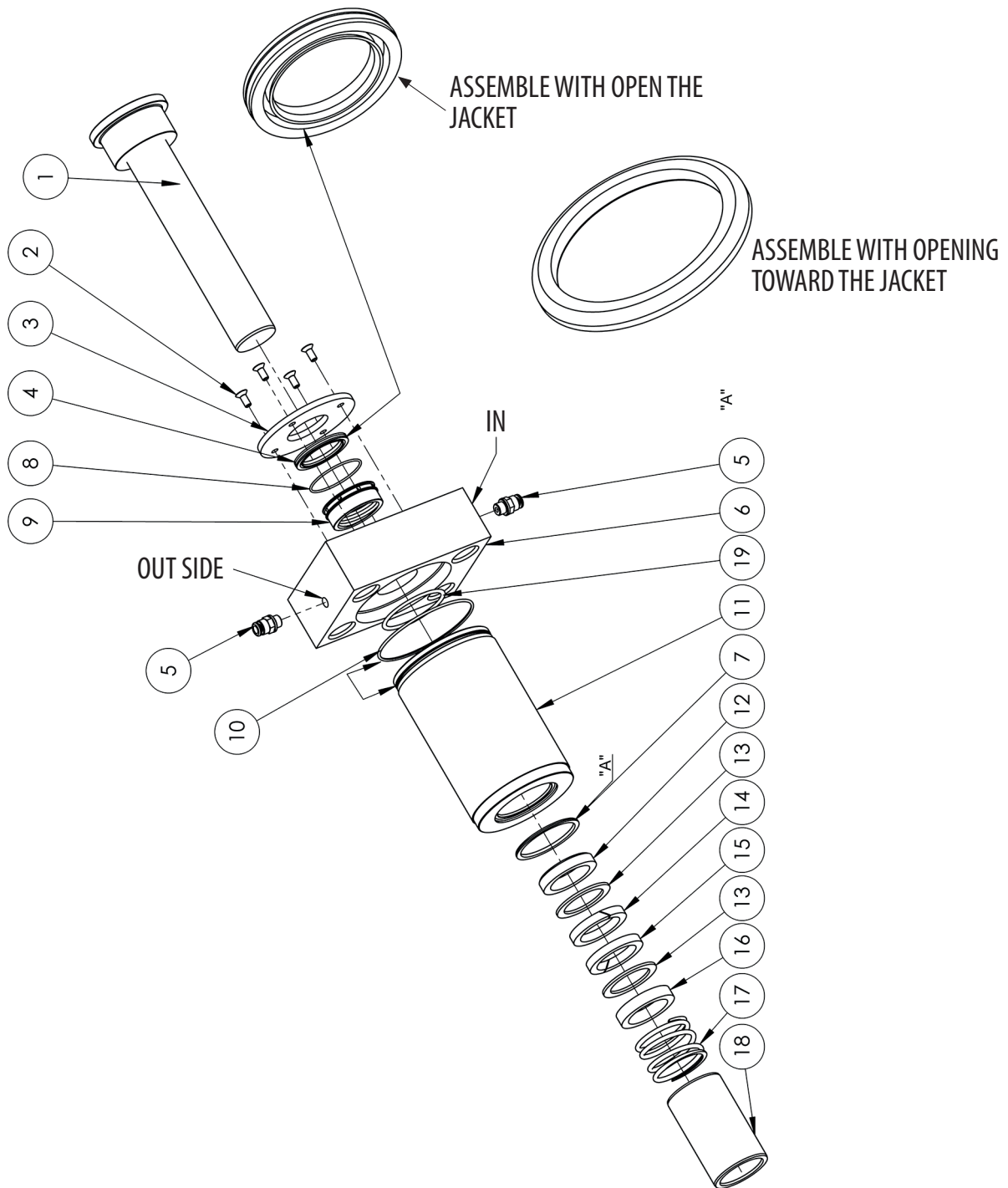
Note: *** Replace with 500h, or with wear parts.

SEAL KIT P-32 PARTS LIST H 150-3 - CODE 1020.00232.0			
NOTE	ITEM	DESCRIPTION	QTY.
*	4	VEDASEAL P-32	3
*	7	O-RING	3
*	8	O-RING	3
*	12	LOWER SUPPORT RING P-32	3
*	13	SCRAPER RING P-32	6
*	14	LAMELA P-32	3
*	15	LAMELA P-32	3
*	16	UPPER SUPPORT RING P-32	3
*	19	METALIC SEAL P-32	3

CAUTION!

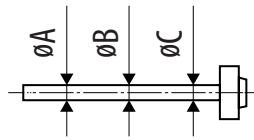
ALL SEAL KITS INCLUDE VEDASEAL (CODE 1300.00595.0L) HOWEVER; THIS ITEM (04) MAY BE PURCHASED SEPARATELY.

PISTON KIT (P-35) - CODE 1010.00417.0



REPLACE SEAL KIT EVERY 500 HOURS TO ENSURE SMOOTH EQUIPMENT OPERATION

NOTE: THE WATER QUALITY DIRECTLY INFLUENCES SEAL LIFECYCLE AND CHANGING TIME MUST BE REDUCED.



Ø Nominal	Appropriate	Critical	Change
35 mm	-0,01	-0,07	-0,1
	-0,06	-0,09	

ANALYSE PISTON DIMENSIONS WHEN CHANGING THE SEALS OR EVERY 500 HOURS RESPECT THE WEAR LIMIT.

PISTON KIT P-35 PARTS LIST H 150-3 - CODE 1010.00417.0				
NOTE	ITEM	CODE	DESCRIPTION	QTY.
*	1	1010.00406.0	PISTON KIT	3
	2	1200.00327.0	ALLEN SCREW	12
	3	1110.00969.0	SUPPORT DISC P-35	3
	5	2320.00303.0	STRAIGHT CONNECT	6
	6	1110.01337.0	FLANGE P-35	3
***	9	1010.01043.0	BEARING BUSHING	3
	10	1300.00242.0	O-RING	3
	11	1110.01421.0	JACKET P-35	3
**	17	1500.00151.0	SPRING P-35	3
	18	1110.00970.0	SUPPORT BUSHING P-35	3
		1020.00235.0	SEAL KIT P-35 SAP III	1

Note: * Common wear parts.

Note: ** Replace with 1000h.

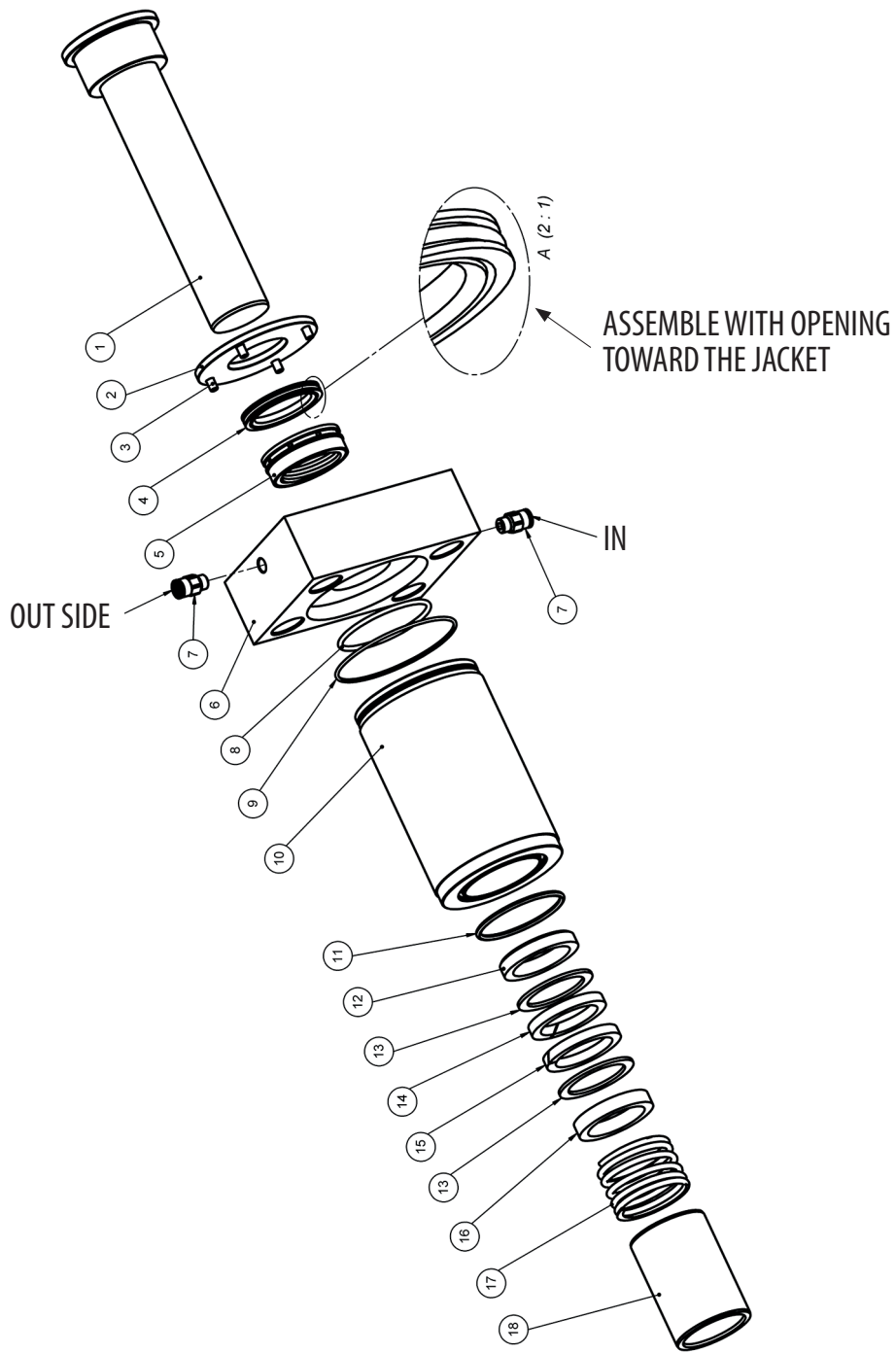
Note: *** Replace with 500h, or with wear parts.

SEAL KIT P-35 PARTS LIST H 150-3 - CODE 1020.00235.0			
NOTE	ITEM	DESCRIPTION	QTY.
*	4	VEDASEAL P-35	3
*	7	METALIC SEAL P-35	3
*	8	O-RING	3
*	12	LOWER SUPPORT RING P-35	3
*	13	SCRAPER RING P-35	6
*	14	LAMELA P-35	3
*	15	LAMELA P-35	3
*	16	UPPER SUPPORT RING P-35	3
*	19	O-RING	3

CAUTION!

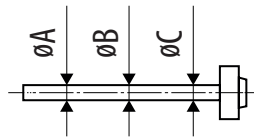
ALL SEAL KITS INCLUDE VEDASEAL (CODE 1300.00596.0L) HOWEVER; THIS ITEM (04) MAY BE PURCHASED SEPARATELY.

PISTON KIT (P-40) - CODE 1010.01375.0



REPLACE SEAL KIT EVERY 500 HOURS TO ENSURE SMOOTH EQUIPMENT OPERATION

NOTE: THE WATER QUALITY DIRECTLY INFLUENCES SEAL LIFECYCLE AND CHANGING TIME MUST BE REDUCED.



Ø Nominal	Appropriate	Critical	Change
40 mm	-0,01	-0,07	-0,1
	-0,06	-0,09	

ANALYSE PISTON DIMENSIONS WHEN CHANGING THE SEALS OR EVERY 500 HOURS RESPECT THE WEAR LIMIT.

PISTON KIT P-40 PARTS LIST H 150-3 - CODE 1010.01375.0				
NOTE	ITEM	CODE	DESCRIPTION	QTY.
*	1	1010.00626.0	PISTON KIT	3
	2	1110.01587.0	SUPPORT DISC P-40	3
	3	1200.00327.0	ALLEN SCREW	12
***	5	1010.00596.0	BEARING BUSHING	3
	6	1110.01578.0	FLANGE P-40	3
	7	2320.00303.0	STRAIGHT CONNECT	6
	9	1300.00242.0	O-RING	3
	10	1110.02909.0	JACKET P-40	3
**	17	1500.00165.0	SPRING P-40	3
	18	1110.02910.0	SUPPORT BUSHING P-40	3
		1020.00240.1	SEAL KIT P-40 SAP III	1

Note: * Common wear parts.

Note: ** Replace with 1000h.

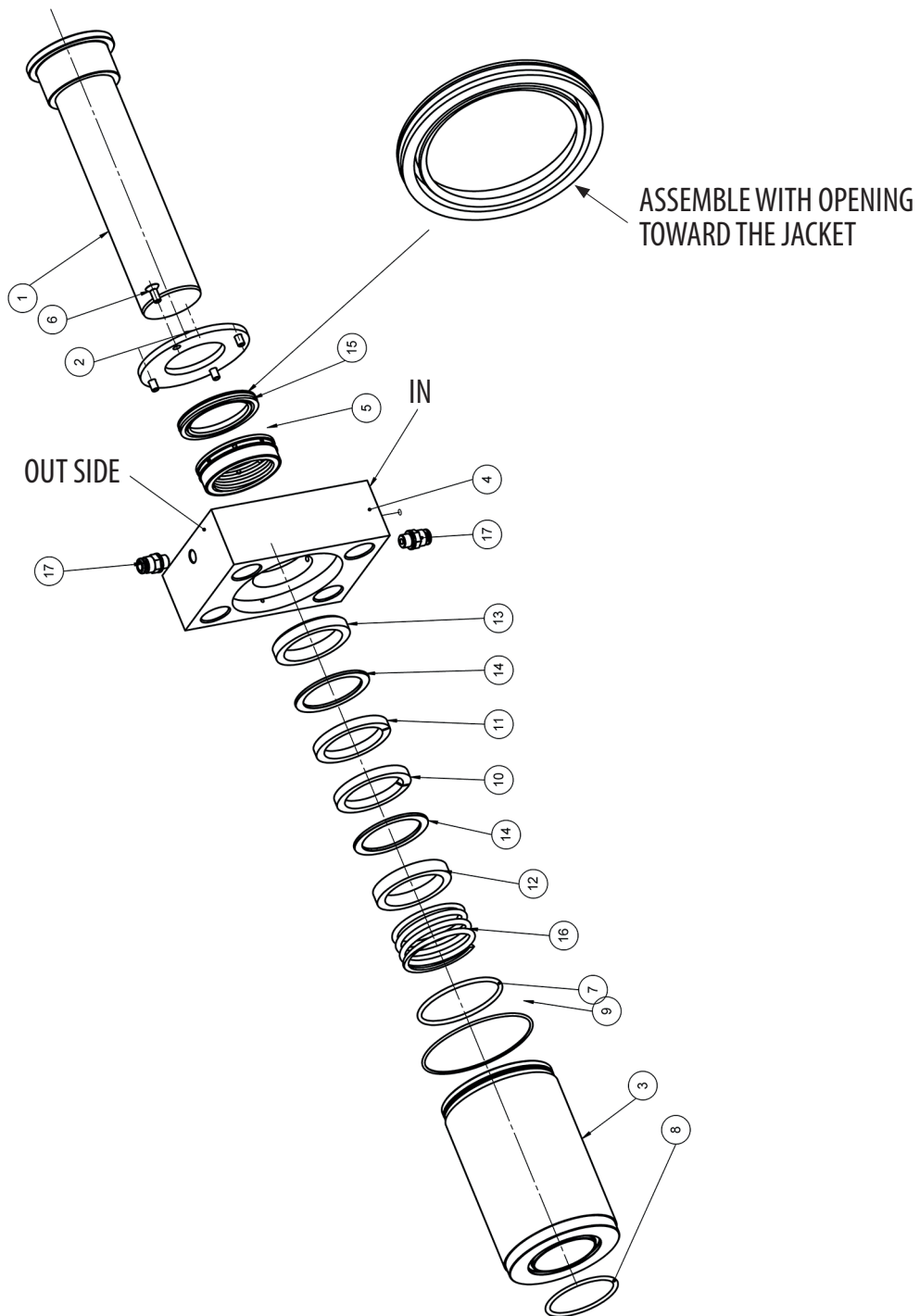
Note: *** Replace with 500h, or with wear parts.

SEAL KIT P-40 PARTS LIST H 150-3 - CODE 1020.00240.1			
NOTE	ITEM	DESCRIPTION	QTY.
*	4	VEDASEAL P-40	3
*	8	O-RING	3
*	11	O-RING	3
*	12	LOWER SUPPORT RING P-40	3
*	13	SCRAPER RING P-40	6
*	14	LAMELA P-40	3
*	15	LAMELA P-40	3
*	16	UPPER SUPPORT RING P-40	3

CAUTION!

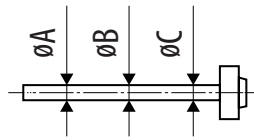
ALL SEAL KITS INCLUDE VEDASEAL (CODE 1300.00683.0L) HOWEVER; THIS ITEM (04) MAY BE PURCHASED SEPARATELY.

PISTON KIT (P-45) - CODE 1010.00869.0



REPLACE SEAL KIT EVERY 500 HOURS TO ENSURE SMOOTH EQUIPMENT OPERATION

NOTE: THE WATER QUALITY DIRECTLY INFLUENCES SEAL LIFECYCLE AND CHANGING TIME MUST BE REDUCED.



Ø Nominal	Appropriate	Critical	Change
45 mm	-0,01	-0,07	-0,1
	-0,06	-0,09	

ANALYSE PISTON DIMENSIONS WHEN CHANGING THE SEALS OR EVERY 500 HOURS RESPECT THE WEAR LIMIT.

PISTON KIT P-45 PARTS LIST H 150-3 - CODE 1010.00869.0				
NOTE	ITEM	CODE	DESCRIPTION	QTY.
*	1	1010.00870.0	PISTON	3
	2	1110.01006.0	SUPPORT DISC P-45	3
	3	1110.01494.0	JACKET P-45	3
	4	1110.01495.0	FLANGE P-45	3
***	5	1010.00855.0	BEARING BUSHING	3
	6	1200.00327.0	ALLEN SCREW	12
	9	1300.00242.0	O-RING	3
**	16	1500.00153.0	SPRING P-45	3
	17	2320.00303.0	STRAIGHT CONNECT	6
		1020.00245.0	SEAL KIT P-45 SAP III	1

Note: * Common wear parts.

Note: ** Replace with 1000h.

Note: *** Replace with 500h, or with wear parts.

SEAL KIT P-45 PARTS LIST H 150-3 - CODE 1020.00245.0			
NOTE	ITEM	DESCRIPTION	QTY.
*	7	O-RING	3
*	8	O-RING	3
*	10	LAMELA P-45	3
*	11	LAMELA P-45	3
*	12	UPPER SUPPORT RING	6
*	13	LOWER SUPPORT RING	3
*	14	SCRAPER RING	6
*	15	VEDASEAL	3

CAUTION!

ALL SEAL KITS INCLUDE VEDASEAL (CODE 1300.00638.0L) HOWEVER; THIS ITEM (15) MAY BE PURCHASED SEPARATELY.



Comet S.p.a. - Via G. Dorso, 4 42124 Reggio Emilia - ITALY
Tel. +39 0522 386111
Export: e-mail: export@comet.re.it › fax 0039 0522 386280
Italia: e-mail: vendite@comet.re.it › fax 0039 0522 386300
www.comet-spa.com